

CDSW

Vertically Staged

Self Priming Centrifugal Pumps

Ultra V Basic Pump ^w/UltraMate Second Stage

Model VS4A60-B

Size 6" x 4"



PUMP SPECIFICATIONS

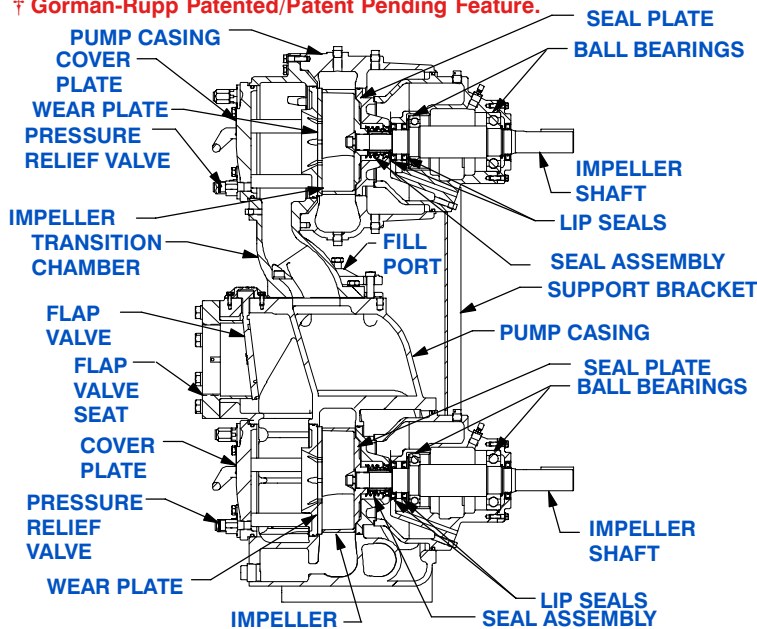
- Size:** 6" x 4" (152 mm x 102 mm).*
- Pump Casings:** Gray Iron No. 30.†
- Maximum Operating Pressure psi (kPa).**
- Semi-Open Type, Two Vane Impellers:** Ductile Iron No. 65-45-12.
Handles 3" (76,2 mm) Diameter Spherical Solids.
- Impeller Shafts:** Alloy Steel No. 4140.
- Self-Cleaning Replaceable Wear Plates:** Carbon Steel No. 1015.†
- Shimless Adjustable Cover Plates:** Gray Iron No. 30.†
- Externally Removable Flap Valve:** Neoprene ^w/Nylon and Steel Reinforcing.
- Flap Valve Seat:** Gray Iron No. 30.
- Bearing Housings:** Gray Iron No. 30.
- Seal Plates:** Gray Iron No. 30.
- Shaft Sleeves:** Alloy Steel No. 4130.
- Radial and Thrust Bearings:** Open Double Ball.
- Bearing and Seal Cavity Lubrication:** SAE No. 30 Non-Detergent Oil.
- Gaskets:** Buna-N, Compressed Synthetic Fibers, Vegetable Fiber, PTFE, Cork, and Rubber.
- O-Rings:** Buna-N.
- Transition Chamber:** Ductile Iron No. 60-40-18.†
- Hardware:** Standard Plated Steel.
- Brass Pressure Relief Valves.**
- Bearing and Seal Cavity Oil Level Sight Gauges.**
- Optional Equipment:** Automatic Air Release Valve. High Pump Temperature Shutdown Kit. Stainless Steel/G-R Hard Iron Impellers and Wear Plates. 120/240 Volt Casing Heater.
- *Optional Gray Iron No. 30 Suction/Discharge Flanges Available as Follows (See Price Sheets):
4" 125# Female NPT Discharge Kit.
6" and 4" ASA Spool Kit.
150 mm and 100 mm DIN 2527 (PN 16) Spool Kit.

UltraMate
Second
Stage

Ultra V
Basic
Pump



† Gorman-Rupp Patented/Patent Pending Feature.

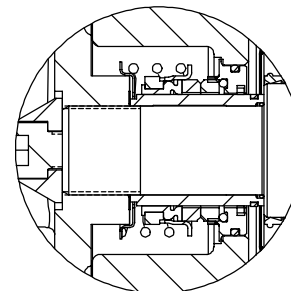


SEAL SPECIFICATIONS

Cartridge Type, Mechanical, Oil-Lubricated, Double Floating, Self-Aligning. Silicon Carbide Rotating and Stationary Faces. Stainless Steel No. 316 Stationary Seat. Fluorocarbon Elastomers (DuPont Viton[®] or Equivalent). Stainless Steel No. 18-8 Cage and Spring. Maximum Temperature of Liquid Pumped, 160°F (71°C).†**

****Consult Factory for Applications Exceeding Maximum Pressure and/or Temperature Indicated.**

SEAL DETAIL



THE GORMAN-RUPP COMPANY • MANSFIELD, OHIO

GORMAN-RUPP OF CANADA LIMITED • ST. THOMAS, ONTARIO, CANADA

www.gormanrupp.com

Specifications Subject to Change Without Notice

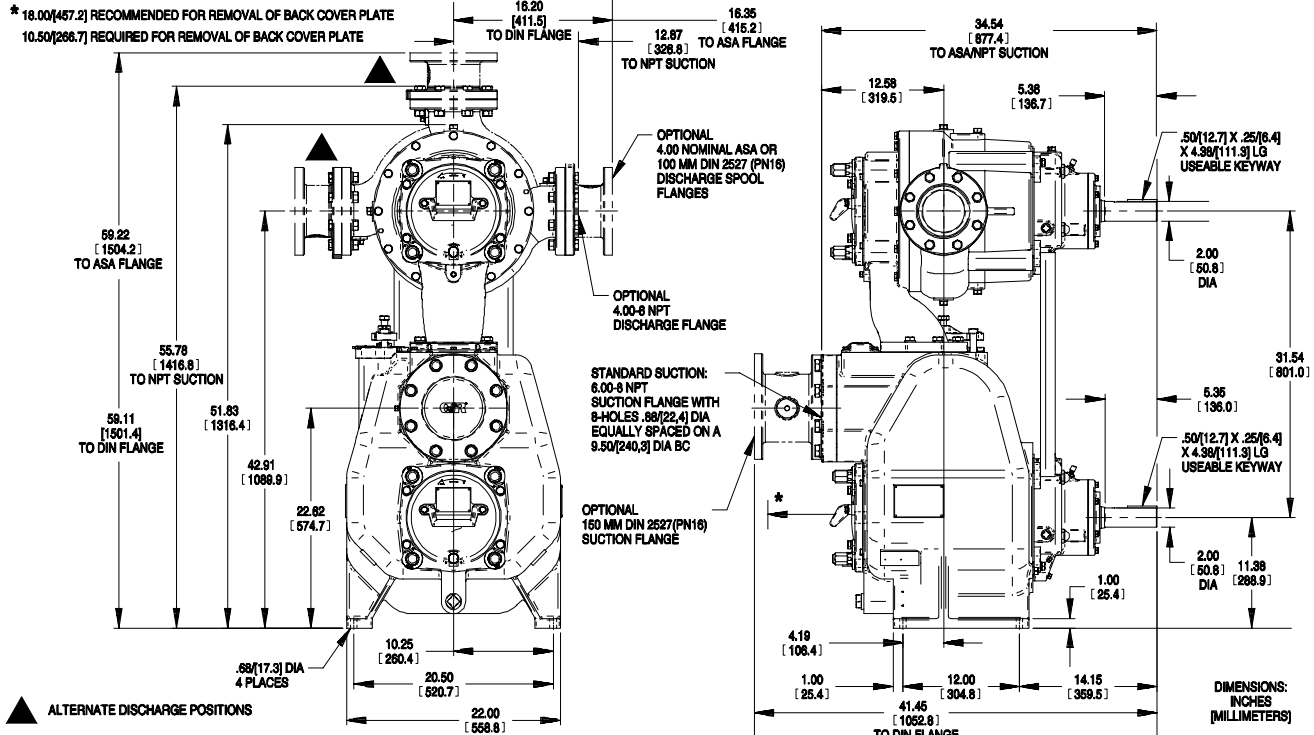
Printed in U.S.A.

Specification Data

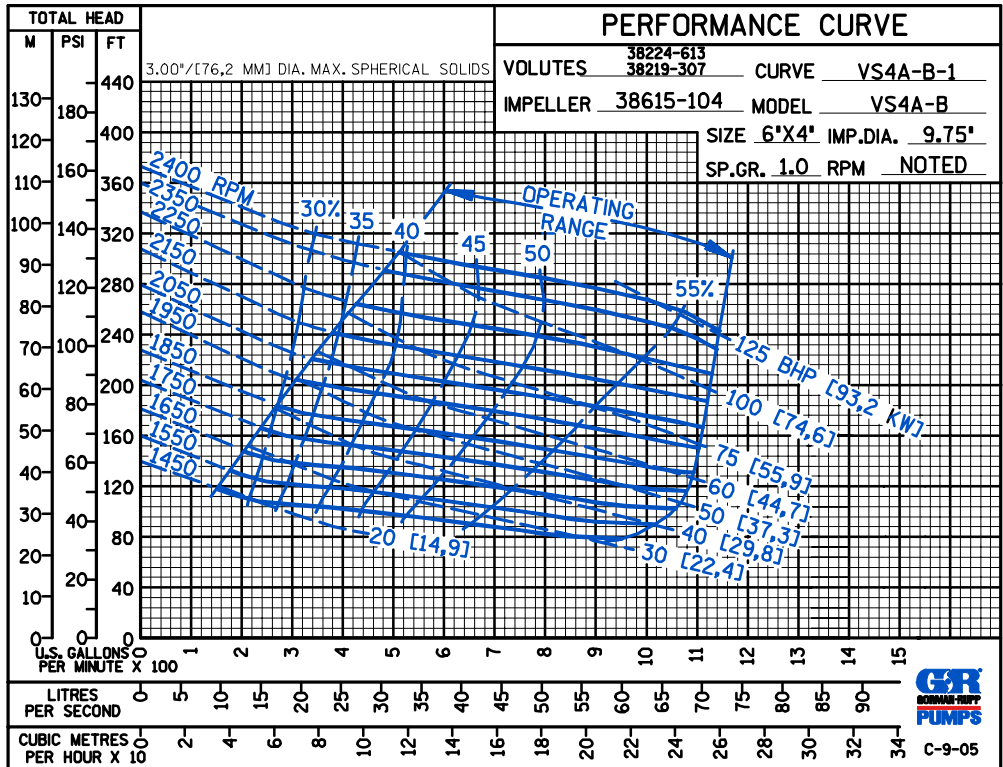
SECTION 55, PAGE 3100

APPROXIMATE DIMENSIONS and WEIGHTS

NET WEIGHT: 1650 LBS. (748 KG.)*
SHIPPING WEIGHT: 1725 LBS. (782 KG.)*
EXPORT CRATE: 60 CU. FT. (1,7 CU. M.)
 *WEIGHTS DO NOT INCLUDE OPTIONAL FLANGE KITS



OPTIONAL SUCTION & DISCHARGE FLANGES SHOWN IN PHANTOM



Total Combined H.P. Shown



THE GORMAN-RUPP COMPANY • MANSFIELD, OHIO

GORMAN-RUPP OF CANADA LIMITED • ST. THOMAS, ONTARIO, CANADA

Specifications Subject to Change Without Notice

Printed in U.S.A.