

Ultra V Series® Basic Pump

CDSW

Self Priming Centrifugal Pump



Model V4A60-B

Size 6" x 4"



VARIOUS PATENTS APPLY

PUMP SPECIFICATIONS

Size: 6" x 4" (152 mm x 102 mm).**

Casing: Gray Iron 30.

Maximum Operating Pressure 118 psi (814 kPa).*

Semi-Open Type, Two Vane Impeller: Ductile Iron 65-45-12.

Handles 3" (76,2 mm) Diameter Spherical Solids.

Impeller Shaft: Alloy Steel 4150.

Self-Cleaning Replaceable Wear Plate: Carbon Steel 1015.

Shimless Adjustable Cover Plate: Gray Iron 30.

Externally Removable Flap Valve: Neoprene ^w/Nylon and Steel Reinforcing.

Suction Flange/Flap Valve Seat: Gray Iron 30.

Bearing Housing: Gray Iron 30.

Seal Plate: Gray Iron 30.

Shaft Sleeve: Alloy Steel 4130.

Radial and Thrust Bearings: Open Single Row Ball.

Bearing and Seal Cavity Lubrication: SAE 30 Non-Detergent Oil.

Gaskets: Buna-N, Compressed Synthetic Fibers, Vegetable Fiber, PTFE, Cork, and Rubber.

O-Rings: Buna-N.

Hardware: Standard Plated Steel.

Brass Pressure Relief Valve.

Bearing and Seal Cavity Oil Level Sight Gauges.

Optional Equipment: Automatic Air Release Valve. High Pump Temperature Shutdown Kit. Stainless Steel/G-R Hard Iron Impeller and Wear Plate. 120/240 Volt Casing Heater.

** Optional Gray Iron 30 Flange Kits Available as Follows (See Price Sheets):

4" 125# Female NPT Discharge Flange Kit.

6" and 4" ASA Suction/Discharge Spool Flange Kits.

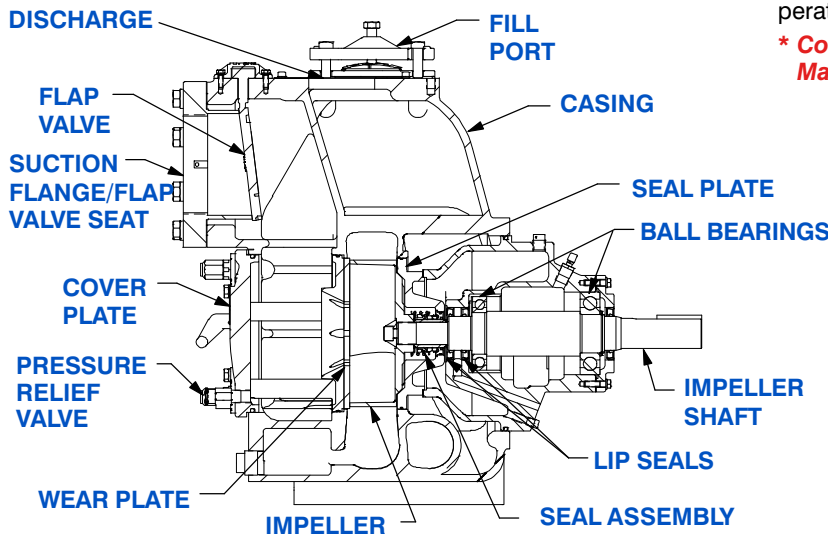
150 mm and 100 mm DIN 2527 (PN 16) Suction/Discharge Spool Flange Kits.



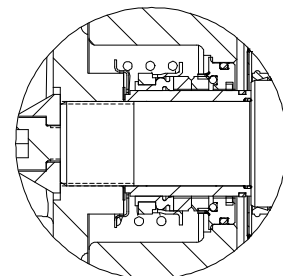
SEAL SPECIFICATIONS

Cartridge Type, Mechanical, Oil-Lubricated, Double Floating, Self-Aligning. Silicon Carbide Rotating and Stationary Faces. Stainless Steel 316 Stationary Seat. Fluorocarbon Elastomers (DuPont Viton® or Equivalent). Stainless Steel 18-8 Cage and Spring. Maximum Temperature of Liquid Pumped, 160°F (71°C).*

* Consult Factory for Applications Exceeding Maximum Pressure and/or Temperature Indicated.



SEAL DETAIL



THE GORMAN-RUPP COMPANY • MANSFIELD, OHIO

GORMAN-RUPP OF CANADA LIMITED • ST. THOMAS, ONTARIO, CANADA

www.grpumps.com

Specifications Subject to Change Without Notice

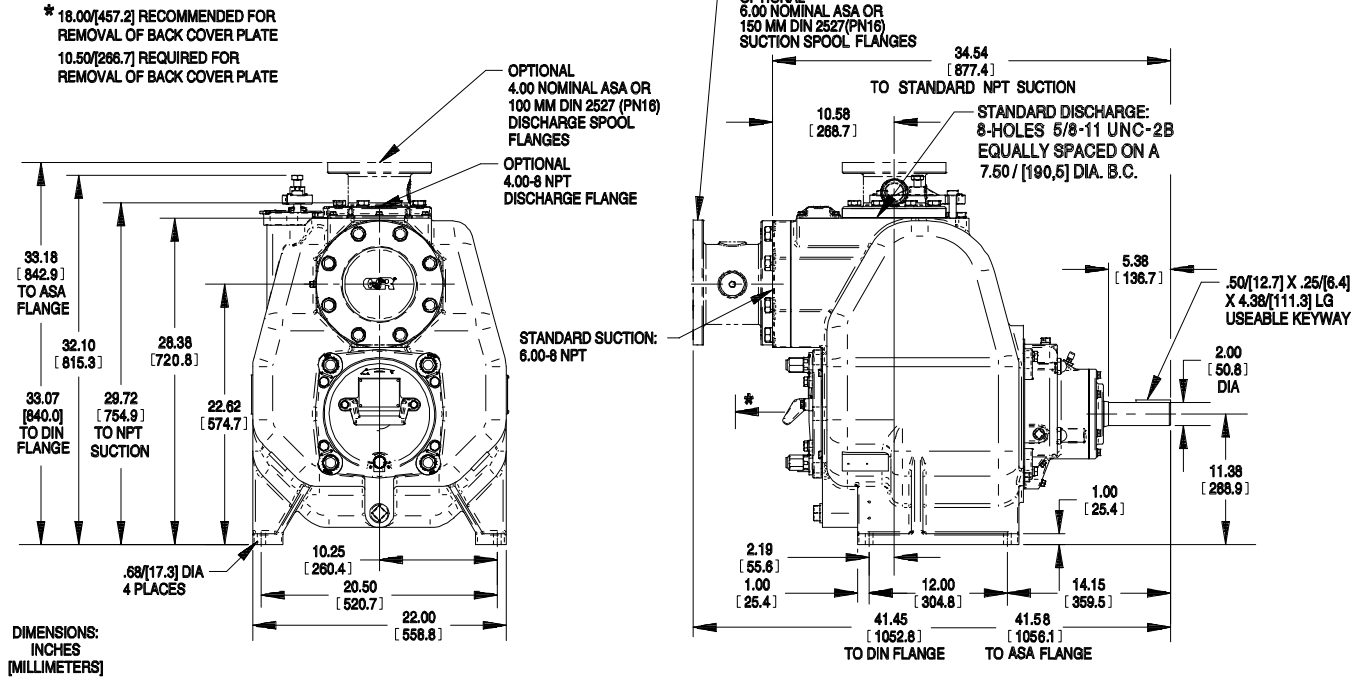
Printed in U.S.A.

Specification Data

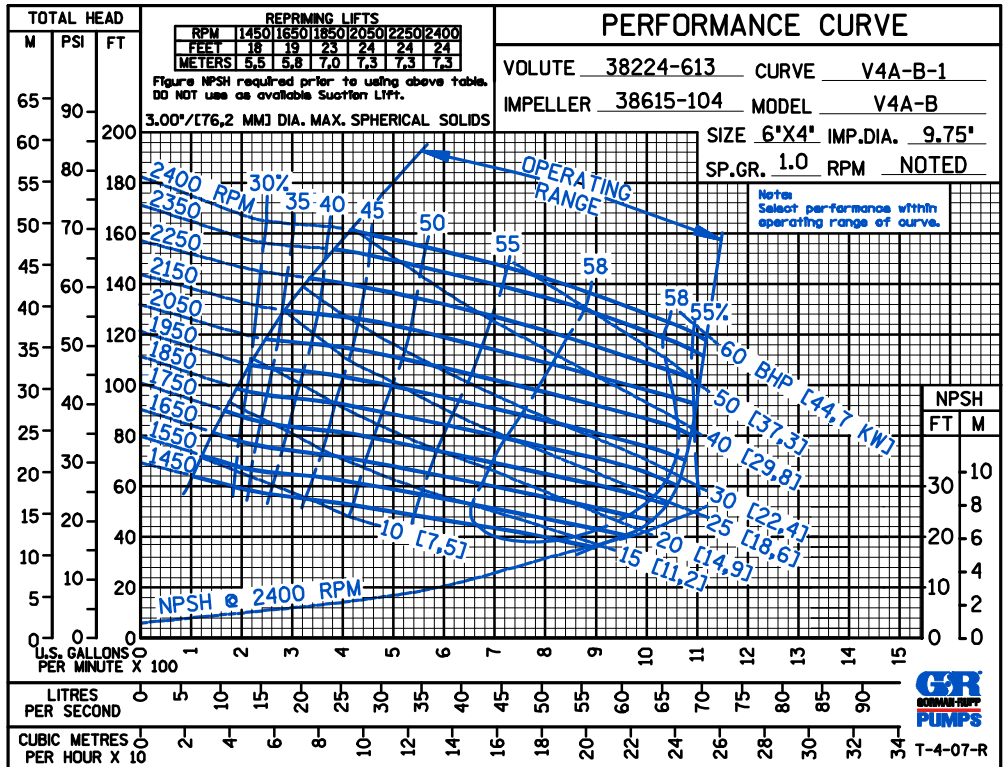
NET WEIGHT: 877 LBS. (398 KG.)*
SHIPPING WEIGHT: 955 LBS. (433 KG.)*
EXPORT CRATE: 18 CU. FT. (0,5 CU. M.)
 *WEIGHTS DO NOT INCLUDE OPTIONAL FLANGE KITS.

SECTION 55, PAGE 2600

APPROXIMATE DIMENSIONS and WEIGHTS



OPTIONAL SUCTION & DISCHARGE FLANGES SHOWN IN PHANTOM



THE GORMAN-RUPP COMPANY • MANSFIELD, OHIO

GORMAN-RUPP OF CANADA LIMITED • ST. THOMAS, ONTARIO, CANADA

Specifications Subject to Change Without Notice

Printed in U.S.A.

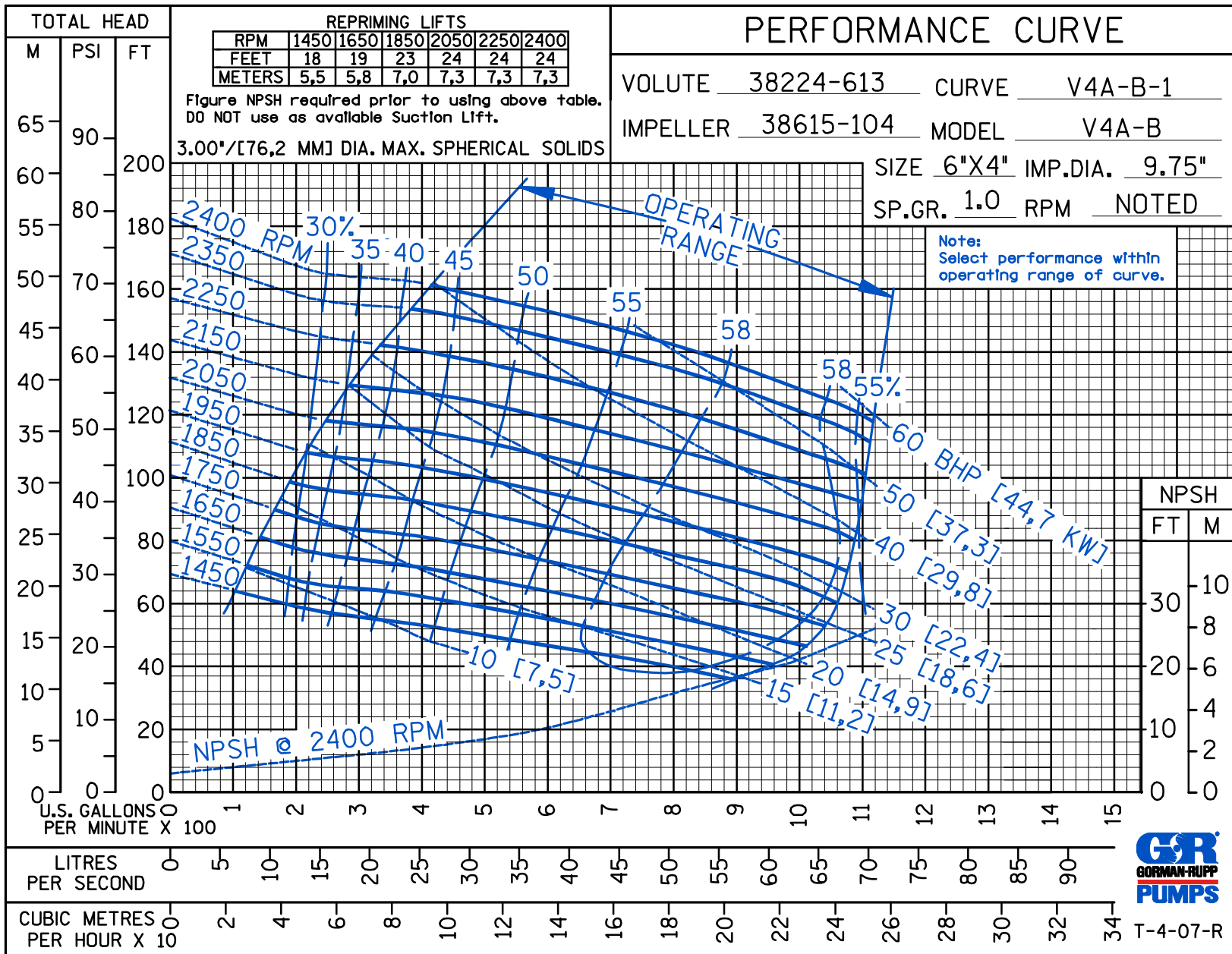


THE GORMAN-RUPP COMPANY • MANSFIELD, OHIO
 GORMAN-RUPP OF CANADA LIMITED • ST. THOMAS, ONTARIO, CANADA
 www.grpumps.com

© Copyright by the Gorman-Rupp Company 2007

Specifications Subject to Change Without Notice

Printed in U.S.A.



CDSW

Curve Data

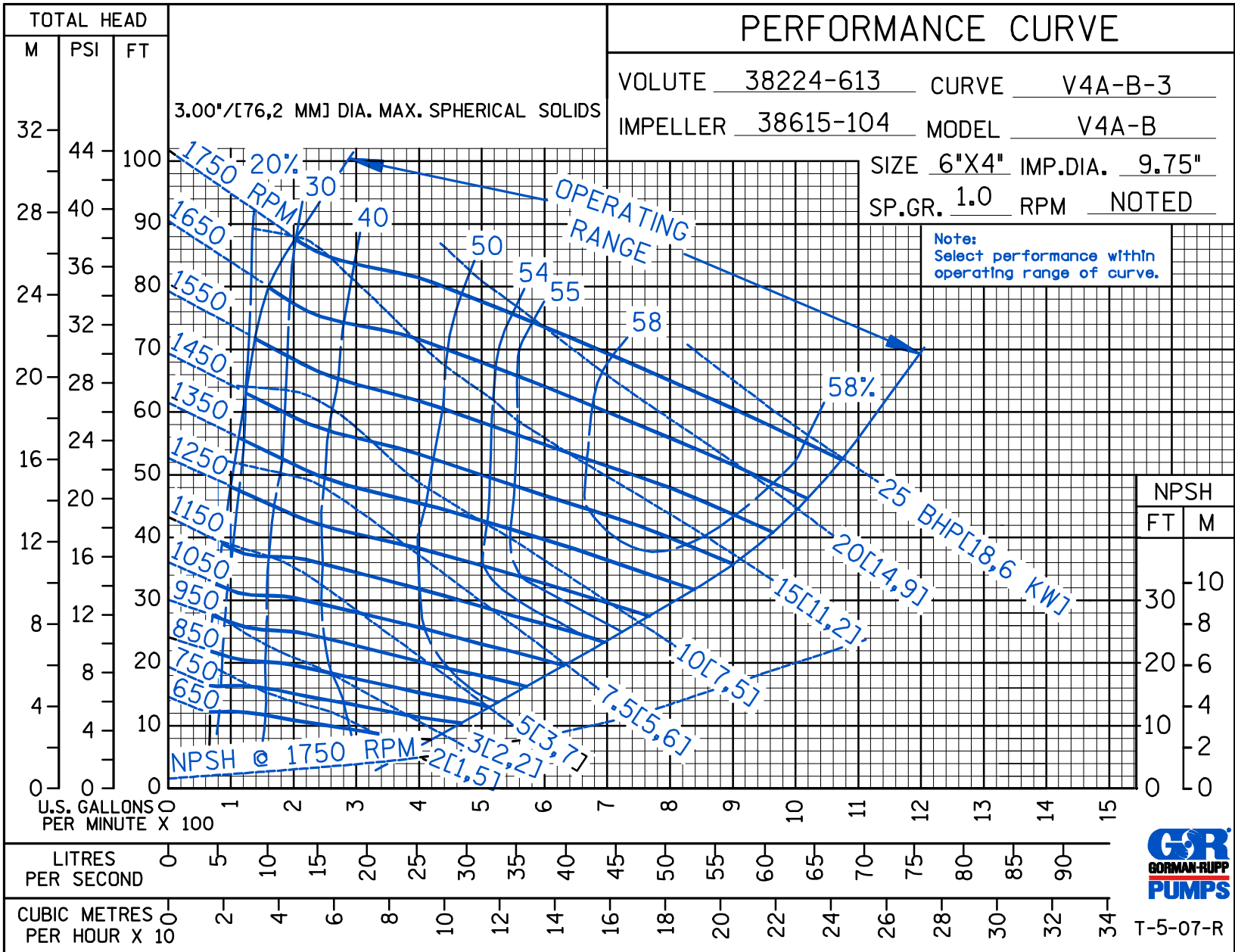
Sec. 55

PAGE 2600.1
JULY 2007

PERFORMANCE CURVE

VOLUTE 38224-613 CURVE V4A-B-3
 IMPELLER 38615-104 MODEL V4A-B
 SIZE 6"X4" IMP.DIA. 9.75"
 SP.GR. 1.0 RPM NOTED

Note:
Select performance within
operating range of curve.



T-5-07-R



THE GORMAN-RUPP COMPANY • MANSFIELD, OHIO
 GORMAN-RUPP OF CANADA LIMITED • ST. THOMAS, ONTARIO, CANADA

www.grpumps.com
 Specifications Subject to Change Without Notice

Printed in U.S.A.