

Super
U SERIES

Self Priming Centrifugal Pump

Model U6B60S-B

Size 6" x 6"



PUMP SPECIFICATIONS

Size: 6" x 6" (152 mm x 152 mm) NPT - Female.

Casing: Gray Iron 30.

Maximum Operating Pressure 123 psi (848 kPa).

Semi-Open Type, Five Vane Impeller: Ductile Iron 65-45-12.

Handles 1 1/4" (31,7 mm) Diameter Spherical Solids.

Impeller Shaft: Alloy Steel 4150.

Replaceable Wear Plate: Gray Iron 30.

Removable Adjustable Cover Plate: Gray Iron 30; 75 lbs. (34 kg).

Flap Valve: Neoprene w/Nylon and Steel Reinforcing.

Bearing Housing: Gray Iron 30.

Seal Plate: Gray Iron 30.

Shaft Sleeve: Alloy Steel 4130.

Radial and Thrust Bearings: Open Double Row Ball.

Bearing and Seal Cavity Lubrication: SAE 30 Non-Detergent Oil.

Flanges: 125# Gray Iron 30.

Gaskets: PTFE, Buna-N w/Compressed Synthetic Fibers.

O-Rings: Buna-N.

Hardware: Standard Plated Steel.

Brass Pressure Relief Valve.

Bearing and Seal Cavity Oil Level Sight Gauges.

Optional Equipment: Stainless Steel 316 Pressure Relief Valve. G-R Hard Iron Impeller, Seal Plate and Wear Plate. Automatic Air Release Valve. 120V/240V Casing Heater. High Pump Temperature Shutdown Kit. Permalon, Kalrez or Fluorocarbon Metal Bellow Seals. Stainless Steel Cartridge Seal.

Gray Iron 30 Suction and Discharge Spool Flanges:

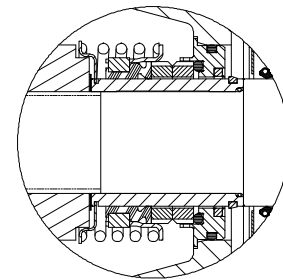
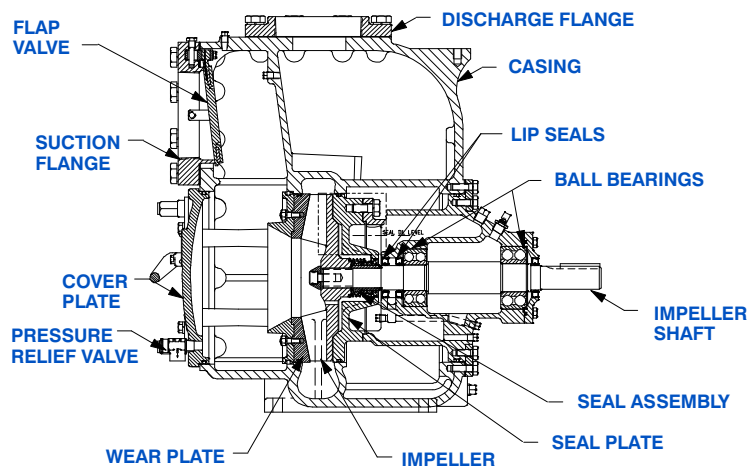
6" ASA (**Specify Model U6B60S-B /F**).

150 mm DIN 2527 (PN 16) (**Specify Model U6B60S-B /FM**).

**Consult Factory for Applications Exceeding Maximum Pressure and/or Temperature Indicated.*



Shown w/Optional Spool Flanges



SEAL DETAIL

Cartridge Type, Mechanical, Oil-Lubricated, Double Floating, Self-Aligning. Silicon Carbide Rotating and Stationary Faces. Stainless Steel 316 Stationary Seat. Fluorocarbon Elastomers (DuPont Viton® or Equivalent). Stainless Steel 18-8 Cage and Spring. Maximum Temperature of Liquid Pumped, 160°F (71°C).*



GORMAN-RUPP PUMPS

www.grpumps.com

Specifications Subject to Change Without Notice

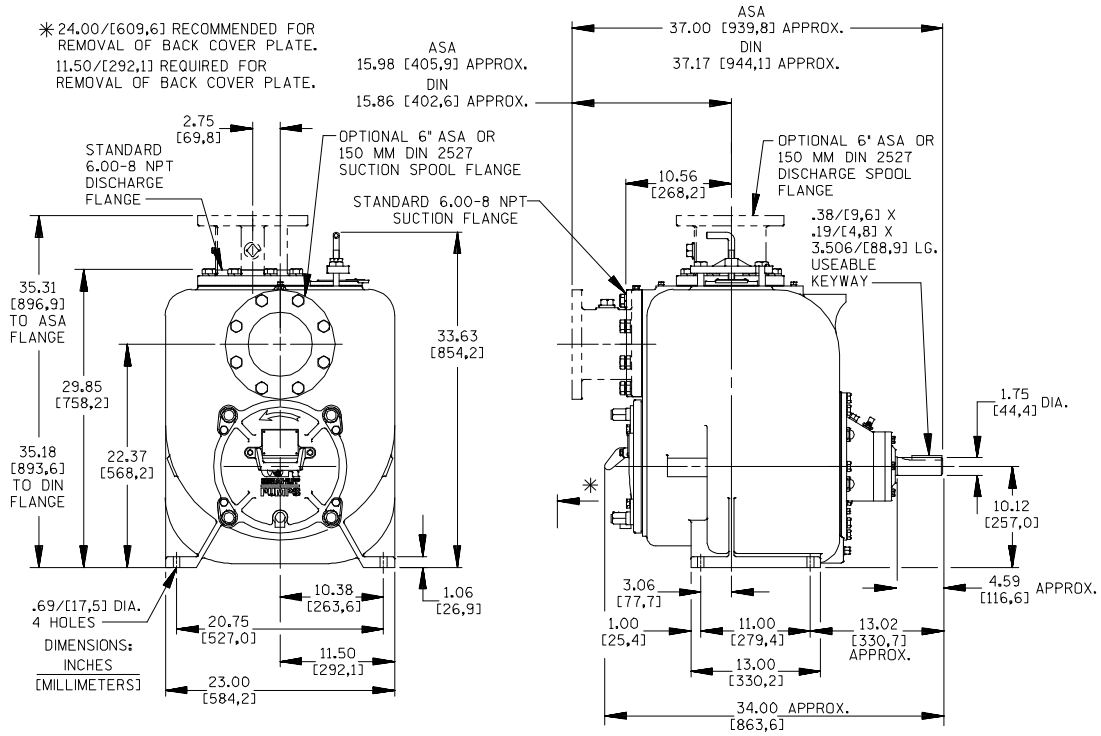
Printed in U.S.A.

Specification Data

SECTION 50, PAGE 2910

APPROXIMATE
DIMENSIONS and WEIGHTS

NET WEIGHT: 920 LBS. (417 KG.)
SHIPPING WEIGHT: 1034 LBS. (469 KG.)
EXPORT CRATE: 32.5 CU. FT. (0,92 CU. M.)



NOTE: OPTIONAL ASA OR DIN STANDARD SPOOL FLANGES AVAILABLE

