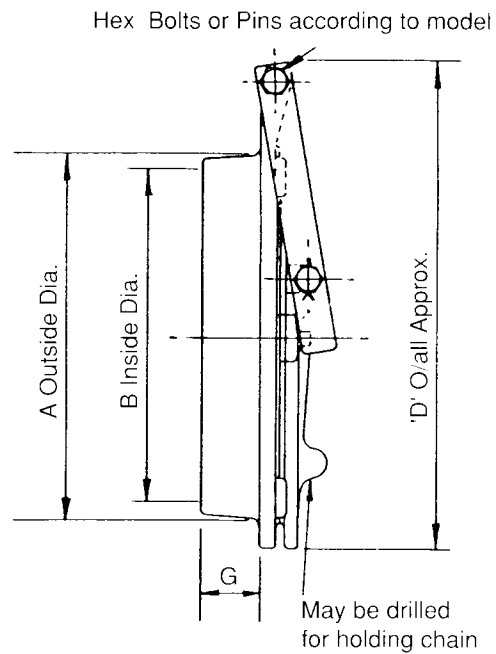
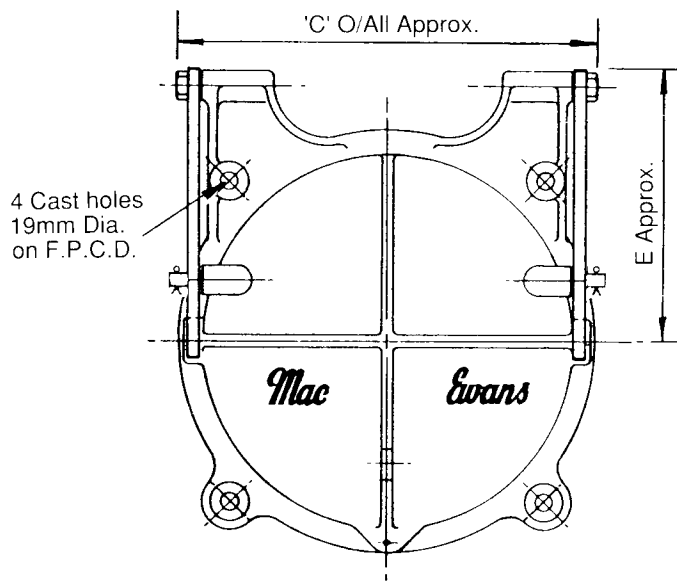


FLAP VALVES

Nominal Size	A	B	C	D	E	F	G	H	J	Weight kg
6 MK II	145	130	255	280	170	230	45	12	169	7
9	225	205	300	345	200	310	30	15	255	13
12	300	280	375	420	250	395	30	12	324	16
15	380	355	465	520	290	475	30	12	404	35
18	455	430	510	635	380	565	30	16	487	38
24 MK II	605	570	760	790	430	720	50	16	637	64
30	760	730	840	980	545	890	50	19	798	114
36	910	875	990	1170	665	1035	60	30	940	140
48	1215	1180	1345	1450	760	1400	60	22	1259	254

Dimensions in mm



Standard Materials	
Door & Frame	Cast Iron
Hinge Straps	Mild Steel
Hinge Pins	Stainless Steel
Bushes	Bronze
Alternatives available to order.	

