



DRUMSCREEN MONSTER®

IFM Series



The IFM Series Drumscreen Monster is a proven fine screening solution for municipal wastewater that has both high flows and lower solids content. When this rotary screen technology is used at a plant's headworks it protects sensitive treatment processes including providing membrane biological reactor (MBR) protection from fibers and other fine particles. This drum screen is also commonly used within clarifier scum screening operations.

The Drumscreen Monsters are constructed of all stainless steel including components that others often neglect like chains and sprockets. The rotary drum screen media of perforated plate, wedgewire or wire mesh is designed around both the influent as well as the requirement of the downstream wastewater treatment process for fine screening of 500 micron to 3 mm and course screening of 6 mm to 10 mm. The drum screen turns on UHMW trunnion wheels with sealed internal bearing for extra-long periods between required maintenance. The Drumscreen Monster can handle flows from 200 to 15,000 gpm (45 to 3407 m³/hr), dependent upon the screen design.

Method of Operation

The influent enters a headbox, where the energy is dissipated and the flow is evenly distributed onto the interior of the rotary screening drum. Solids are retained on the screen surface while the liquid flows radially out through the screen openings. Screened solids are transported axially, by internal flights, to the open end of the rotary drum screen. The entire screening surface is intermittently washed by a fixed external spray bar.

Features

All Stainless Steel Construction

- Includes all wetted surfaces as well as drive chains, sprockets and support frames

Unitary Base Frame

- Fully welded frame and lower enclosure provide leak free operation
- Rigid and durable frame structure for smooth rotation and low total cost of ownership

Design and Construction Flexibility

- Screening media, inlet and outlet points, leg and drive placements can all be easily customized to fit a specific application



www.jwce.com

Standard Construction

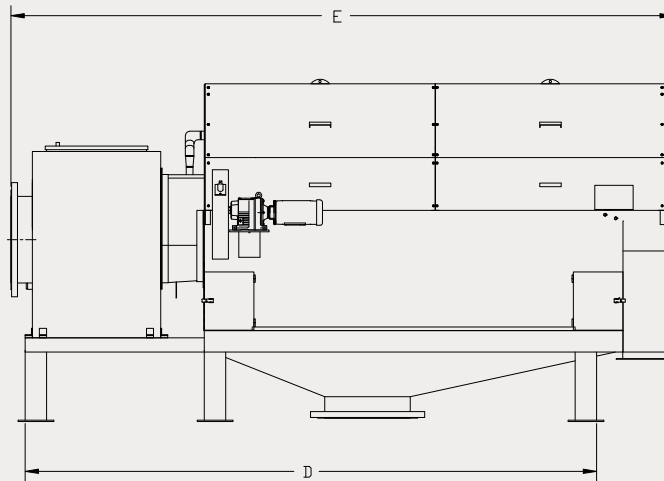
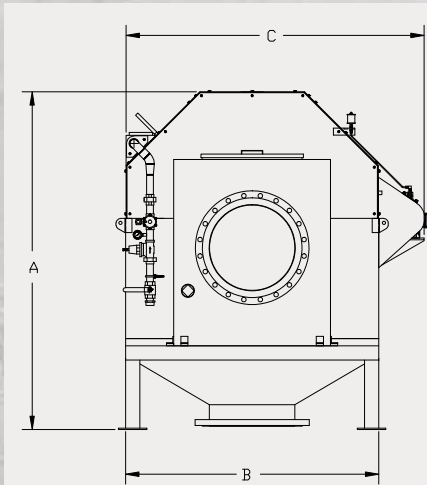
- 304 stainless steel construction
- Unitary body
- TEFC motor and gear drive
- Stainless steel drive roller chain
- UHMW shaft-mounted trunnions
- Perforated plate screen media
- Internal flights
- External spray bar
- Vapor enclosure

Options

- Extension legs
- Control panel
- 316 stainless steel construction
- Wedgewire or wire mesh screen media
- Internal spray bar
- Automatic chain oiler
- Over-wash sensors
- Mesh lined screens
- Screenings washer compactor

Typical Applications

- Fine Screening at plant headworks
- MBR Protection from fibers and debris
- Clarifier scum screening



IFM Model	Standard Dimensions - inches (mm)					Approximate Net Weight - lbs (kg)
	A	B	C	D	E	
IFM 1836	37-1/4 (946)	24-5/8 (626)	33-5/8 (854)	48 (1219)	64 (1626)	800 (363)
IFM 2448	45 (1143)	33-3/8 (848)	43 (1092)	59 (1499)	83-3/8 (2118)	1400 (635)
IFM 3672	65-3/8 (1661)	46-3/4 (1187)	60 (1524)	112 (2845)	133-5/8 (3394)	2400 (1089)
IFM 4872	79 (2007)	58-3/4 (1492)	71-3/4 (1822)	142 (3607)	120-1/2 (3061)	3200 (1452)
IFM 4896	79 (2007)	58-3/4 (1492)	71-3/4 (1822)	166 (4216)	144-1/2 (3670)	3600 (1633)
IFM 6096	95 (2413)	71 (1803)	85 (2159)	160 (4054)	186 (4724)	5200 (2359)
IFM 60160	95 (2413)	71 (1803)	85 (2159)	224 (5690)	248 (6299)	7100 (3221)
IFM 72160	111 (2819)	83 (2108)	102 (2591)	226 (5740)	254 (6452)	8500 (3856)

MODEL CODE

IFM XX XX

Drum Diameter Inches

Drum Length Inches

This chart is only to be used as a guide. For specific sizing inquiries please contact JWC Environmental. Not all models shown.



JWC
Environmental®

Trust Monster Quality™

Headquarters
2850 S. Red Hill Ave., Suite 125
Santa Ana, CA 92705 USA
toll free: 800.331.2277
phone: 949.833.3888
fax: 949.833.8858
email: jwce@jwce.com



MONSTER
INDUSTRIAL

IPEC FRC

www.jwce.com