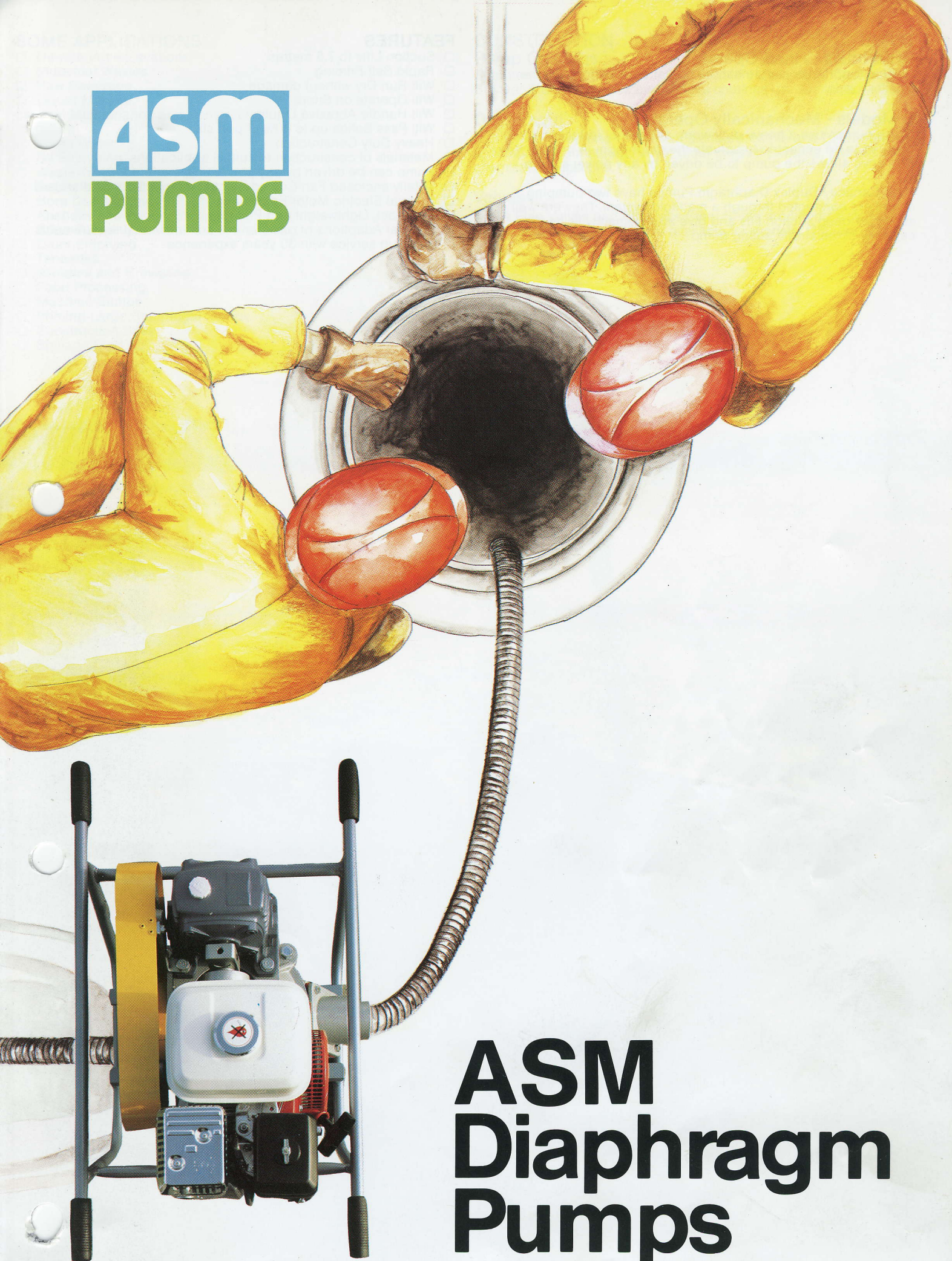


**ASM**  
**PUMPS**



**ASM**  
**Diaphragm**  
**Pumps**



## TYPES

### DH Models - Hand Operated

Light and portable, simple handle operation, designed for the smaller jobs.

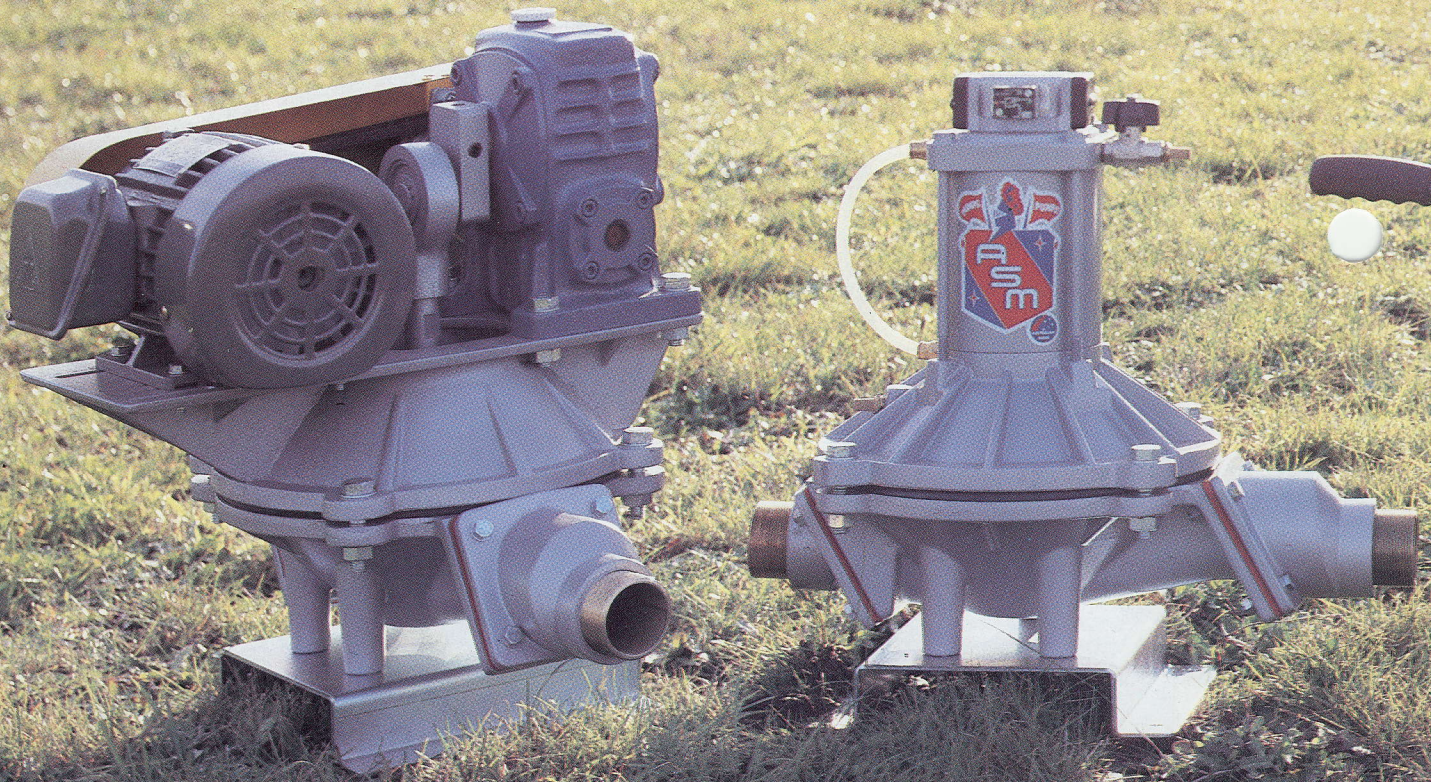
### D Models - Mechanically Operated

These pumps use a heavy duty worm and wheel reduction direct coupled to an eccentric to actuate the diaphragm. A primary Vee Belt drive allows the pump to be driven by any power source.

High Capacity Duplex Diaphragm Pumps have two pumping chambers connected through a manifold system. They are well suited for deep suction lifts and give approximately twice the capacity of the single acting pump.

## FEATURES

- Suction Lifts to 7.5 metres
- Rapid Self Priming
- Will Run Dry without damage
- Will Operate on Snore
- Will Handle Abrasive Liquids
- Will Pass Solids up to 80% of port size
- Heavy Duty Construction
- Materials of construction to suit all applications
- Pump can be driven by any power unit
- Totally enclosed Fan Cooled Electric motors fitted as standard
- Special Electric Motor Enclosures
- Compact, Lightweight and Portable
- Special Adaptions of basic unit to suit individual requirements
- Back up service with 30 years experience





## SOME APPLICATIONS

- Dewatering excavations
- Industrial Wastes
- Raw Sewerage
- Liquid Manure
- Pool Maintenance and Construction
- Flood
- Storm Water
- Oil Skimming
- Waste Treatment Plants
- Septic Tank Cleaning
- Bore Desludging
- Abattoirs and Poultry processing
- Bilge Pumping
- Drum Emptying
- Tanneries
- Wineries and Breweries
- Food Processing
- Machine Sumps
- Priming Large Centrifugal Pumps
- Construction Sites
- Spillage Mop up

## CONSTRUCTION

### Pump Castings

Standard construction is corrosion resistant aluminium. Cast iron, Bronze, Stainless Steels and special coatings are available.

### Diaphragm

Reinforced Neoprene Rubber as standard. Nitrile and EPDM are optional. These materials cover most general purpose, petrolic and chemical applications.

### Valves

Nitrile Flap Valves and Stainless Steel Seats are fitted as standard. Ball type Valve Chambers are available for models, D50 and D50D.





SPECIFICATIONS								DIMENSIONS (mm)														
Type	Model	Size	Capacity Clean Water	Suction Lift	Discharge Head	Solids	Kg	A	B	C	D	E	F	G	H	J	K	L	M	N	O	P
		mm	LPM	m	m	mm		BSP FEM														
MECHANICAL	DE ENGINE DS 1 PHASE DT 3 PHASE	25	23	7	6	15	38	1	250	180	100	145	210	125	390	90	80	50	880	100	515	12
		32	43	7	6	20	41	1 1/4	250	180	100	160	230	125	400	95	105	50	880	100	525	12
		38	70	7	6	25	50	1 1/2	270	180	100	185	260	125	480	110	115	50	880	100	605	12
		50	120	7	6	35	55	2	280	195	100	200	300	125	520	125	110	50	880	100	615	12
		76	240	6	6	60	75	3	330	220	100	240	380	125	630	150	140	50	1100	50	705	12
HAND	DH	25	12	7	6	15	14	1	125	125	100	145	210	125	900	90	80	50	*	*	*	12
		32	22	7	6	20	16	1 1/4	125	125	100	160	230	125	900	95	105	50	*	*	*	12
		38	35	7	6	25	19	1 1/2	145	145	100	185	260	125	950	110	115	50	*	*	*	12
		50	60	7	6	35	20	2	160	160	100	200	300	125	1000	125	110	50	*	*	*	12

\*ALL SPECIFICATIONS AND DIMENSIONS SUBJECT TO ALTERATION WITHOUT NOTICE

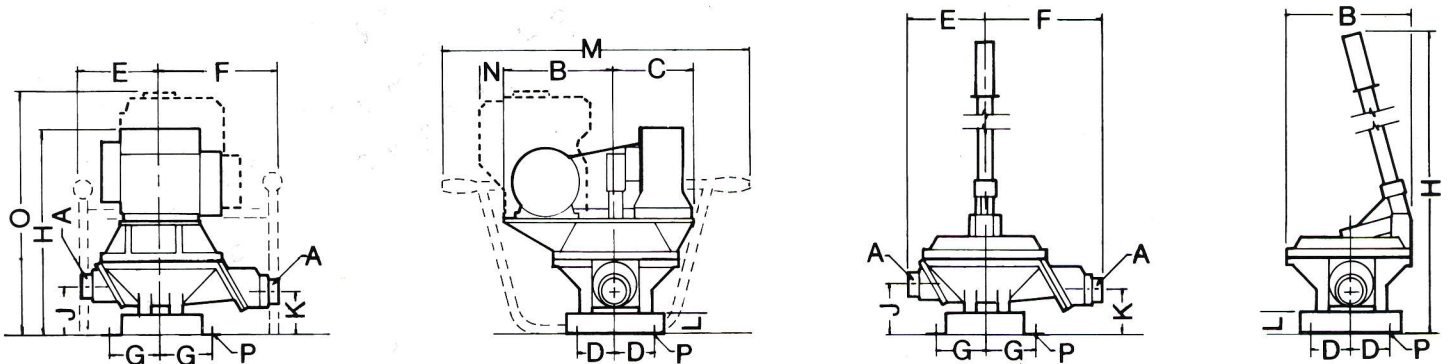
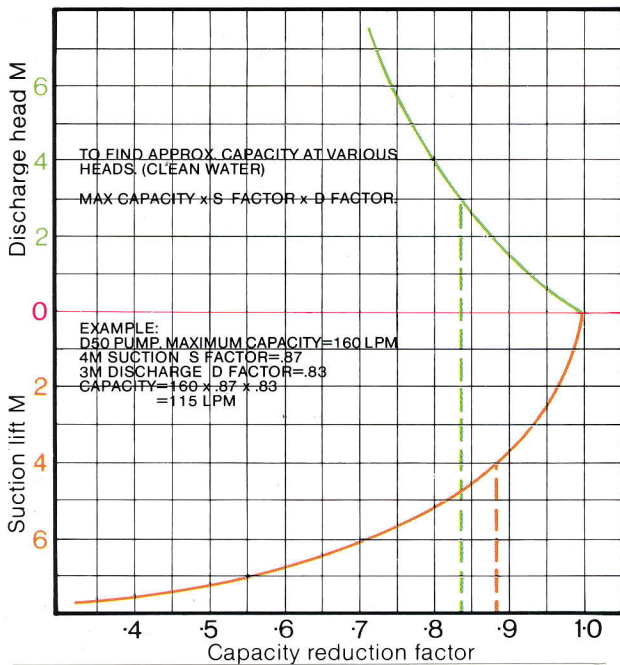


TABLE A HEAD/CAPACITY



**NB PIPE SIZE FOR ASM DIAPHRAGM PUMPS  
FOR CLEAN LIQUIDS WITH SAME VISCOSITY AS WATER**

MODEL	SUCTION LENGTH		DISCHARGE LENGTH		
	0-6M	6-10M	0-6M	6-15M	15-25M
D25	25mm	32mm	32mm	40mm	40mm
D32	32mm	40mm	40mm	50mm	50mm
D38	40mm	50mm	50mm	65mm	65mm
D50	50mm	65mm	65mm	65mm	80mm
D76	80mm	80mm	80mm	80mm	100mm

**IMPORTANT : USE OF PIPES SMALLER THAN THE  
PORT SIZE OF THE PUMP WILL VOID WARRANTY**

Distributor: