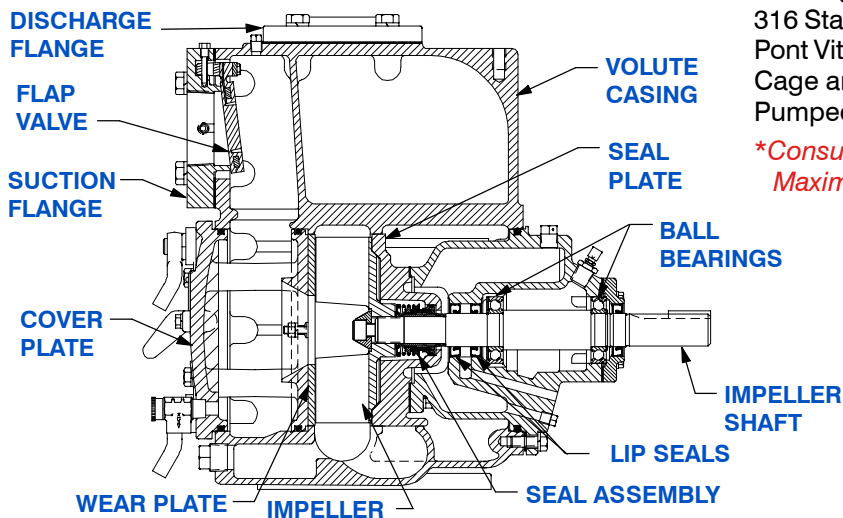
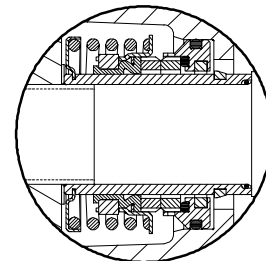


DS

# Self Priming Centrifugal Pump

**Super  
T SERIES****Basic Pump****Model T3A3S-B****Size 3" x 3"****PUMP SPECIFICATIONS****Size:** 3" x 3" (76 mm x 76 mm) NPT - Female.**Pump Casing:** Gray Iron No. 30. Maximum Operating Pressure 87 psi (600 kPa).\***Open Type, Two Vane Impeller:** Ductile Iron No. 65-45-12. Handles 2 1/2" (63,5 mm) Diameter Spherical Solids.**Impeller Shaft:** Alloy Steel No. 4140.**Replaceable Wear Plate:** Carbon Steel No. 1015.**Removable Adjustable Cover Plate:** Gray Iron No. 30; 30 lbs. (14 kg).**Flap Valve:** Neoprene w/Steel Reinforcing.**Bearing Housing:** Gray Iron No. 30.**Seal Plate:** Gray Iron No. 30.**Shaft Sleeve:** Alloy Steel No. 4130.**Radial/Thrust Bearings:** Open Single Ball.**Bearing and Seal Cavity Lubrication:** SAE No. 30 Non-Detergent Oil.**Flanges:** 125# Gray Iron No. 30.**Gaskets:** Buna-N, Compressed Synthetic Fibers, Vegetable Fiber, PTFE, Cork and Rubber.**O-Rings:** Buna-N.**Hardware:** Standard Plated Steel.**Brass Pressure Relief Valve.****Bearing and Seal Cavity Oil Level Sight Gauges.****Optional Equipment:** Automatic Air Release Valve. Metal Bellows Seal. 120V/240V Casing Heater. High Pump Temperature Shutdown Kit. Gray Iron No. 30 Suction and Discharge Spool Flanges;3" ASA (**Specify Model T3A3S-B /F**).80 mm DIN 2527 (**Specify Model T3A3S-B /FM**).**Shown with Optional Suction & Discharge Spool Flanges (Available in ASA or DIN Standard Sizes).****SEAL SPECIFICATIONS**

Cartridge Type, Mechanical, Oil-Lubricated, Double Floating, Self-Aligning. Tungsten Titanium Carbide Rotating and Stationary Faces. Stainless Steel No. 316 Stationary Seat. Fluorocarbon Elastomers (DuPont Viton® or Equivalent). Stainless Steel No. 18-8 Cage and Spring. Maximum Temperature of Liquid Pumped, 160°F (71°C).\*

*\*Consult Factory for Applications Exceeding Maximum Pressure and/or Temperature Indicated.***SEAL DETAIL****THE GORMAN-RUPP COMPANY • MANSFIELD, OHIO**

GORMAN-RUPP OF CANADA LIMITED • ST. THOMAS, ONTARIO, CANADA

www.gormanrupp.com

Specifications Subject to Change Without Notice

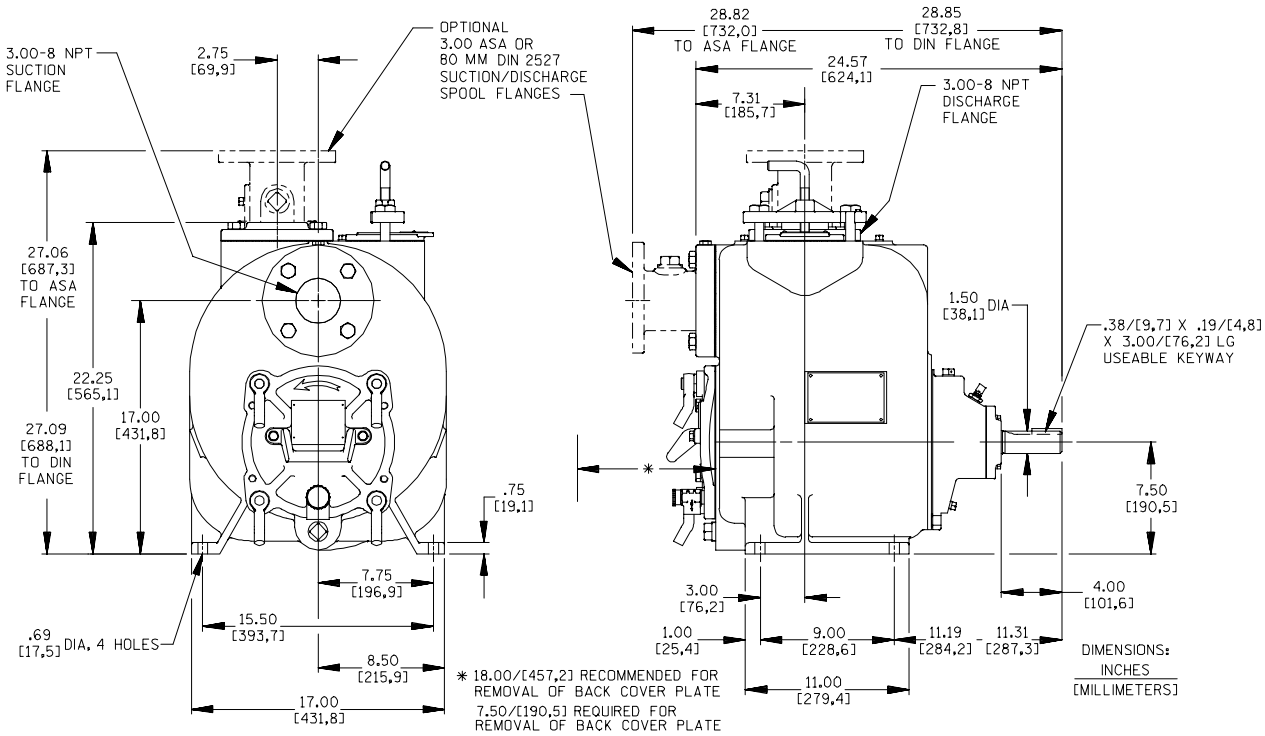
Printed in U.S.A.

**Specification Data**

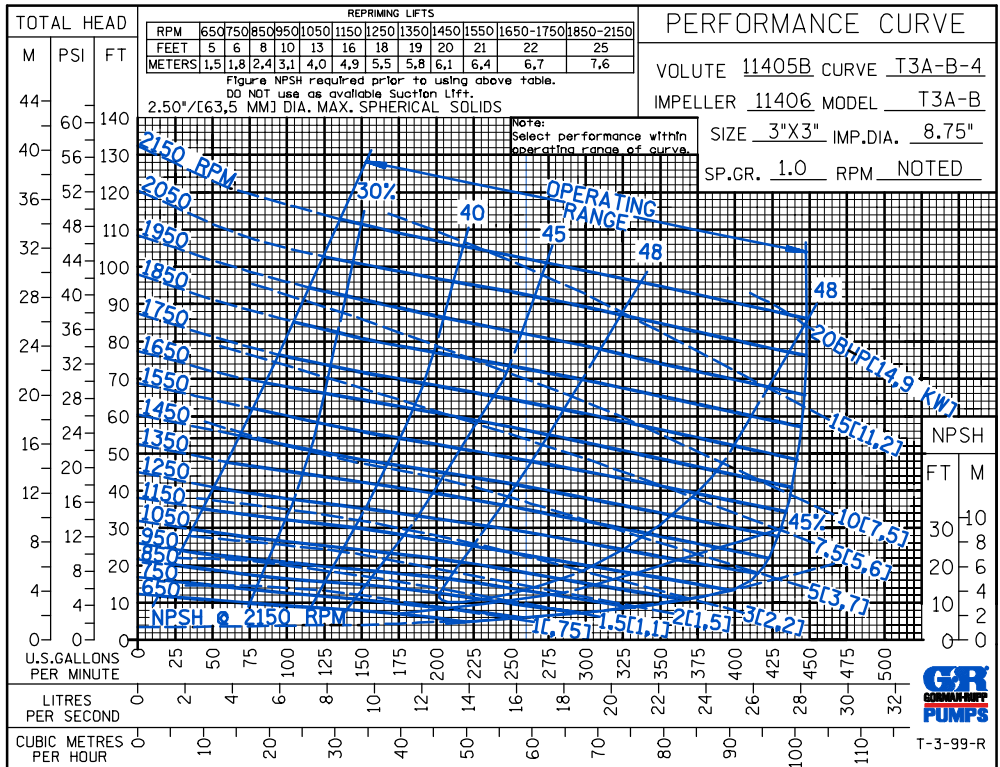
**SECTION 55, PAGE 2000**

**APPROXIMATE DIMENSIONS and WEIGHTS**

**NET WEIGHT: 404 LBS. (183 KG.)\***  
**SHIPPING WEIGHT: 452 LBS. (205 KG.)\***  
**EXPORT CRATE: 14.1 CU. FT. (0,4 CU. M.)**  
**\*ADD 15 LBS. (6,8 KG.) W/EACH SPOOL FLANGE**



**OPTIONAL ASA OR DIN STANDARD SUCTION & DISCHARGE SPOOL FLANGES AVAILABLE**



**THE GORMAN-RUPP COMPANY • MANSFIELD, OHIO**

GORMAN-RUPP OF CANADA LIMITED • ST. THOMAS, ONTARIO, CANADA

Specifications Subject to Change Without Notice

Printed in U.S.A.