

A B C D E

Basic Pedestal

Self Priming Centrifugal Pump

Models 86A3-B and 86A52-B

Size 6" x 6"



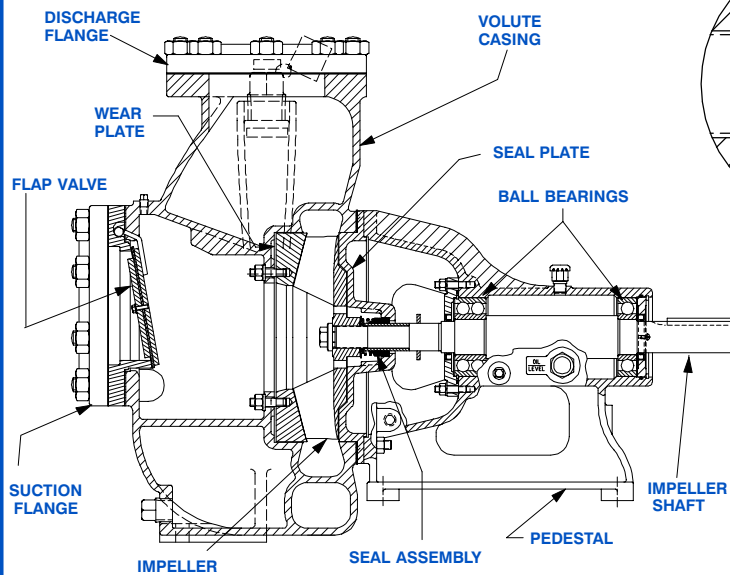
PUMP SPECIFICATIONS

Size: 6" x 6" (152 mm x 152 mm) NPT - Female.**Casing:** Gray Iron No. 30.

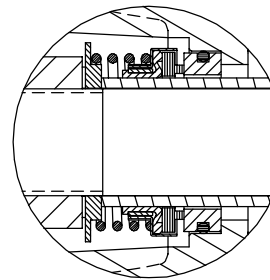
Maximum Operating Pressure 82 psi (565 kPa)*.

Semi-Open Type, Three Vane Impeller: Gray Iron No. 30.

Handles 1 15/16" (49,3 mm) Diameter Spherical Solids.

Impeller Shaft: Alloy Steel No. 4150.**Replaceable Wear Plate:** Gray Iron No. 30.**Pedestal:** Gray Iron No. 30.**Seal Plate:** Gray Iron No. 30.**Shaft Sleeve:** Alloy Steel No. 4130.**Flap Valve:** Buna-N and Steel.**Radial Bearings:** Open Single Row Ball.**Thrust Bearings:** Open Double Row Ball.**Bearing Lubrication:** SAE No. 30 Non-Detergent Oil.**Flanges:** Gray Iron No. 30.**Gaskets:** Cork.**O-Rings:** Buna-N**Hardware:** Standard Plated Steel and Stainless Steel.**Oil Level Sight Gauge.****Optional Equipment:** Consult Factory.**Consult Factory for Applications Exceeding Maximum Pressure and/or Temperature Indicated.*

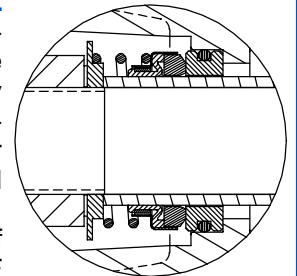
86A52-B SHOWN



86A3-B SEAL DETAIL Type 21, Mechanical, Self-Lubricated. Carbon Rotating Face. Ni-Resist Stationary Face. Fluorocarbon Elastomers (DuPont Viton® or Equivalent). Stainless Steel No. 18-8 Cage and Spring. Maximum Temperature of Liquid Pumped, 160°F (71°C).*

86A52-B SEAL DETAIL

Type 31, Mechanical, Self-Lubricated. Silicon Carbide Rotating and Stationary Faces. Fluorocarbon Elastomers (DuPont Viton® or Equivalent). Stainless Steel No. 18-8 Cage and Spring. Maximum Temperature of Liquid Pumped 160°F (71°C).*



THE GORMAN-RUPP COMPANY • MANSFIELD, OHIO

GORMAN-RUPP OF CANADA LIMITED • ST. THOMAS, ONTARIO, CANADA

www.grpumps.com

Specifications Subject to Change Without Notice

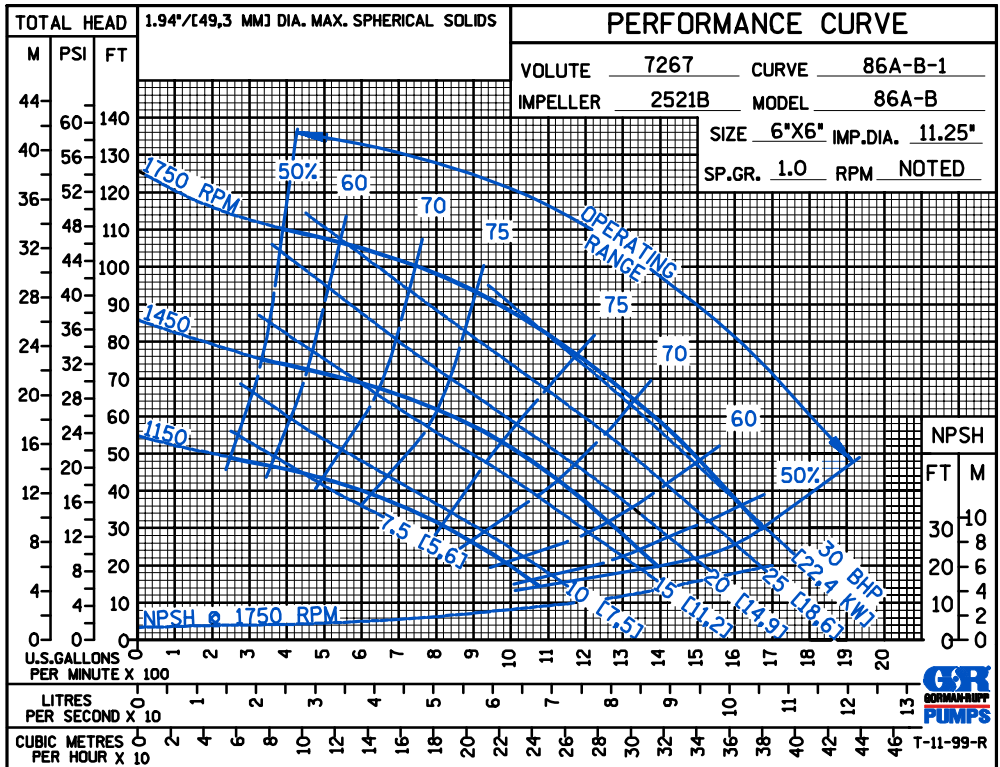
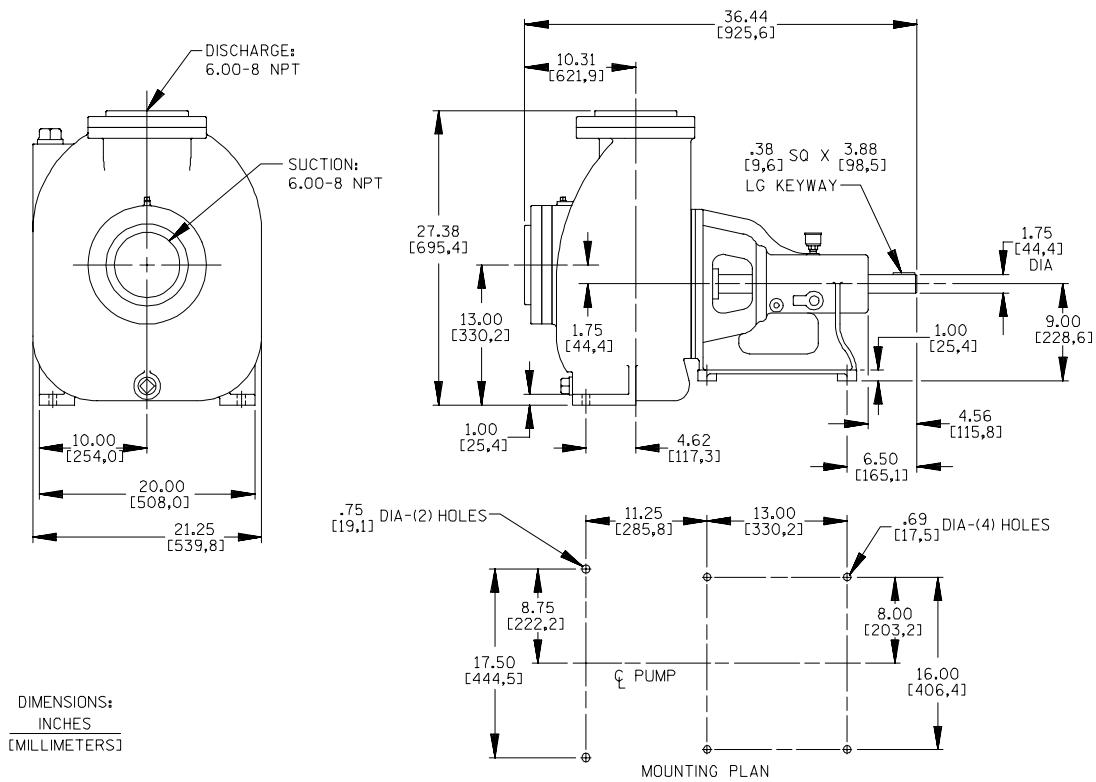
Printed in U.S.A.

Specification Data

SECTION 50, PAGE 2001

APPROXIMATE
DIMENSIONS and WEIGHTS

NET WEIGHT: 630 LBS. (286 KGS.)
SHIPPING WEIGHT: 680 LBS. (308 KGS.)
EXPORT CRATE: 24.5 CU. FT. (0,69 CU. M.)



THE GORMAN-RUPP COMPANY • MANSFIELD, OHIO

GORMAN-RUPP OF CANADA LIMITED • ST. THOMAS, ONTARIO, CANADA

Specifications Subject to Change Without Notice

Printed in U.S.A.