

A B C D E



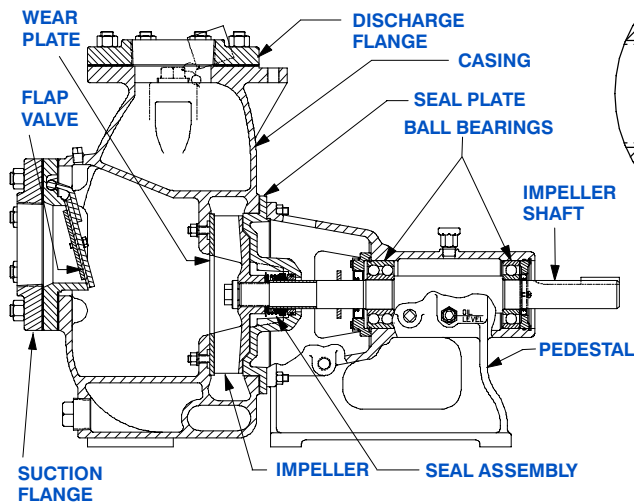
Basic Pedestal Self Priming Centrifugal Pump Models 84B3-B, 84B31-B and 84B52-B Size 4" x 4"

PUMP SPECIFICATIONS

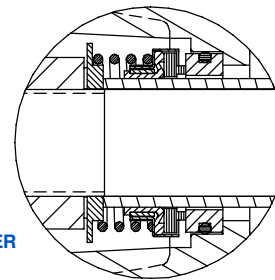
Size: 4" x 4" (102 mm x 102 mm) NPT - Female.
Casing (Models 84B3-B and 84B52-B): Gray Iron No. 30.
(Model 84B31-B): Ductile Iron 65-45-12.
Maximum Operating Pressure 74 psi (510 kPa)*.
Semi-Open Type, Four Vane Impeller: Gray Iron No. 30.
Handles 1 1/4" (31,8 mm) Diameter Spherical Solids.
Impeller Shaft: Carbon Steel No. 1045.
Replaceable Wear Plate: Carbon Steel No. 1026.
Pedestal: Gray Iron No. 30.
Seal Plate (Models 84B3-B and 84B52-B): Gray Iron No. 30.
(Model 84B31-B): Ductile Iron 65-45-12.
Shaft Sleeve: Alloy Steel No. 4130.
Flap Valve: Buna-N and Carbon Steel.
Radial Bearing: Open Single Row Ball.
Thrust Bearing: Open Double Row Ball.
Bearing Lubrication: SAE No. 30 Non-Detergent Oil.
Flanges: Gray Iron No. 30.
Gaskets: Cork.
O-Ring: Buna-N.
Hardware: Standard Plated Steel.
Optional Equipment: Strainer. 120V/240V Casing Heater.
Gray Iron No. 30 Suction and Discharge Spool Flanges:
 4" ASA and 100 mm DIN 2527 (PN 16).



**Consult Factory for Applications Exceeding Maximum Pressure and/or Temperature Indicated.*

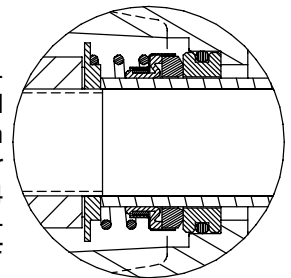


84B52-B SHOWN



84B3-B and 84B31-B SEAL DETAIL:
 Type 21, Mechanical, Self-Lubricated. Carbon Rotating Face. Ni-Resist Stationary Face. Fluorocarbon Elastomers (DuPont Viton® or Equivalent). Stainless Steel No.18-8 Cage and Spring. Maximum Temperature of Liquid Pumped, 160°F (71°C).*

84B52-B SEAL DETAIL:
 Type 31, Mechanical, Self-Lubricated. Silicon Carbide Rotating and Stationary Faces. Fluorocarbon Elastomers (DuPont Viton® or Equivalent). Stainless Steel No. 304 Cage and Spring. Maximum Temperature of Liquid Pumped, 160°F (71°C).*



THE GORMAN-RUPP COMPANY • MANSFIELD, OHIO

GORMAN-RUPP OF CANADA LIMITED • ST. THOMAS, ONTARIO, CANADA

www.grpumps.com

Specifications Subject to Change Without Notice

Printed in U.S.A.

Specification Data

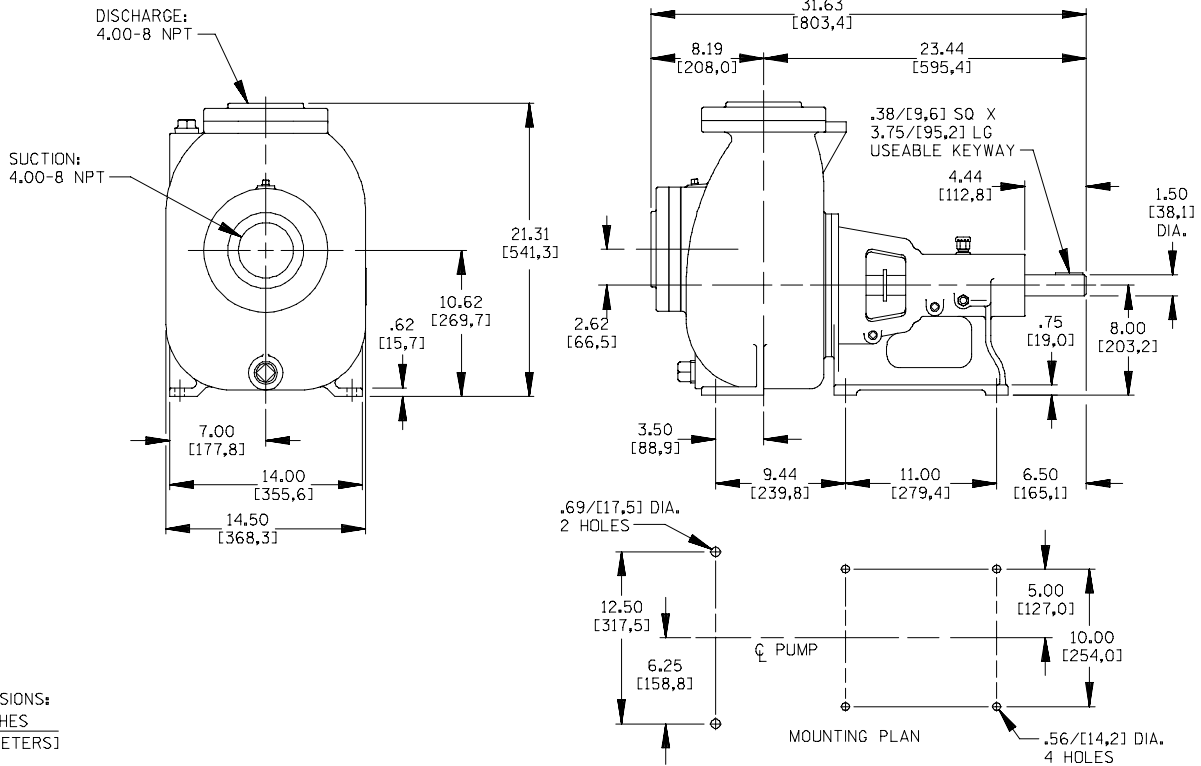
SECTION 50, PAGE 1701

APPROXIMATE
DIMENSIONS and WEIGHTS

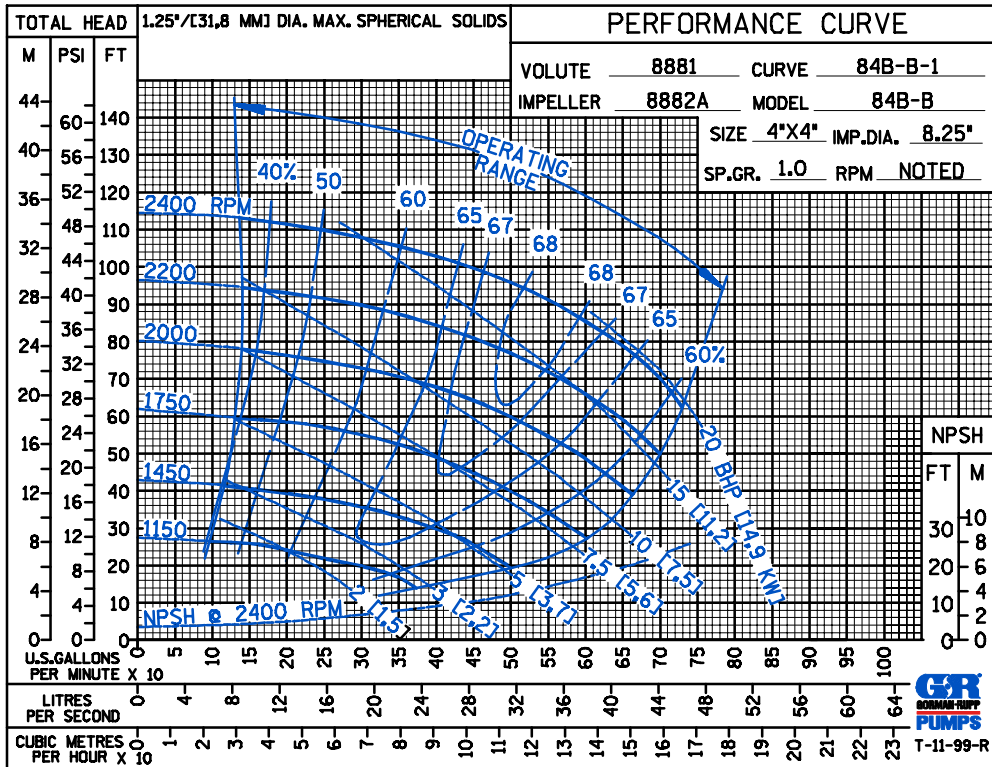
NET WEIGHT: 325 LBS. (147 KGS.)

SHIPPING WEIGHT: 341 LBS. (155 KGS.)

EXPORT CRATE: 18 CU. FT. (0,5 CU. M.)



DIMENSIONS:
INCHES
[MILLIMETERS]



THE GORMAN-RUPP COMPANY • MANSFIELD, OHIO

GORMAN-RUPP OF CANADA LIMITED • ST. THOMAS, ONTARIO, CANADA

Specifications Subject to Change Without Notice

Printed in U.S.A.