

A B C D E

Basic Pedestal

Self Priming Centrifugal Pump

Models 83B3-B, 83B31-B and 83B52-B



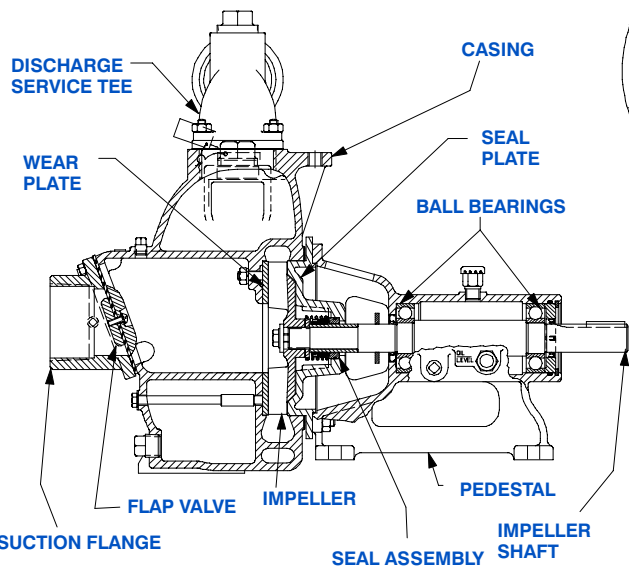
Size 3" x 3"

PUMP SPECIFICATIONS

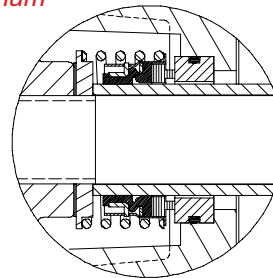
- Size:** 3" x 3" (76 mm x 76 mm) NPT - Female.
- Casing (Models 83B3-B and 83B52-B):** Gray Iron No. 30.
- (Model 83B31-B):** Ductile Iron 65-45-12.
- Maximum Operating Pressure** 117 psi (807 kPa)*.
- Semi-Open Type, Four Vane Impeller:** Gray Iron No. 30.
- Handles** 13/16" (20,6 mm) Diameter Spherical Solids
- Impeller Shaft:** Carbon Steel No. 1045/1046.
- Replaceable Wear Plate:** Carbon Steel No. 1026.
- Pedestal:** Gray Iron No. 30.
- Shaft Sleeve:** Alloy Steel No. 4130.
- Seal Plate (Models 83B3-B and 83B52-B):** Gray Iron No. 30.
- (Model 83B31-B):** Ductile Iron 65-45-12.
- Flap Valve:** Buna-N^W/Nylon Reinforcement and Gray Iron No. 30.
- Radial and Thrust Bearings:** Open Single Row Ball.
- Bearing Lubrication:** SAE No. 30 Non-Detergent Oil.
- Suction Flange:** Gray Iron No. 25.
- Gaskets:** Cork and Vegetable Fiber.
- Hardware:** Standard Plated Steel.
- Discharge Service Tee:** Gray Iron No. 30.
- Oil Level Sight Gauge.**
- Optional Equipment:** Consult Factory.



**Consult Factory for Applications Exceeding Maximum Pressure and/or Temperature Indicated.*

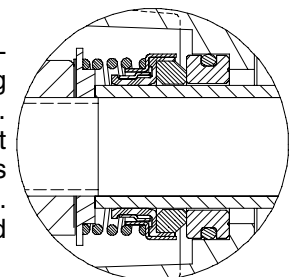


83B3-B SHOWN



83B3-B and 83B31-B SEAL DETAIL
Type 2, Mechanical, Self-Lubricated. Carbon Rotating Face. Ni-Resist Stationary Face. Fluorocarbon Elastomers (DuPont Viton[®] or Equivalent). Stainless Steel No. 18-8 Cage and Spring. Maximum Temperature of Liquid Pumped, 160°F (71 °C).*

83B52-B SEAL DETAIL
Type 31, Mechanical, Self-Lubricated. Silicon Carbide Rotating and Stationary Faces. Fluorocarbon Elastomers (DuPont Viton[®] or Equivalent). Stainless Steel No. 18-8 Cage and Spring. Maximum Temperature of Liquid Pumped 160°F (71°C).*



THE GORMAN-RUPP COMPANY • MANSFIELD, OHIO

GORMAN-RUPP OF CANADA LIMITED • ST. THOMAS, ONTARIO, CANADA

www.grpumps.com

Specifications Subject to Change Without Notice

Printed in U.S.A.

