

A B C D E

Basic Pedestal

Self Priming Centrifugal Pump

Models 83A3-B and 83A52-B

Size 3" x 3"

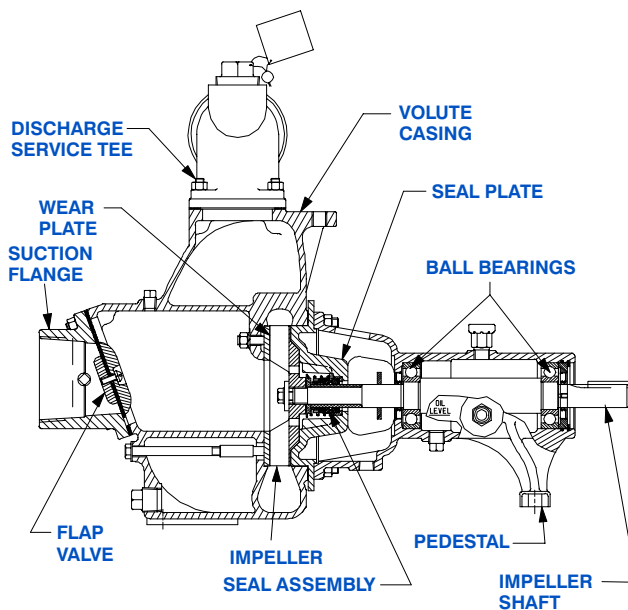


PUMP SPECIFICATIONS

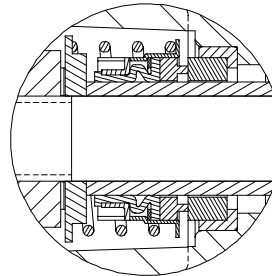
- Size:** 3" x 3" (76 mm x 76 mm) NPT - Female.
- Casing:** Gray Iron No. 30.
Maximum Operating Pressure 87 psi (600 kPa)*.
- Semi-Open Type, Four Vane Impeller:** Gray Iron No. 30.
Handles 3/4" (19 mm) Diameter Spherical Solids
- Impeller Shaft:** Carbon Steel No. 1045.
- Replaceable Wear Plate:** Carbon Steel No. 1026.
- Pedestal:** Gray Iron No. 30.
- Shaft Sleeve:** Stainless Steel No. 304.
- Seal Plate:** Gray Iron No. 30.
- Flap Valve:** Buna-N^W/Nylon Reinforcement and Gray Iron No. 30.
- Radial and Thrust Bearings:** Open Single Row Ball.
- Bearing Lubrication:** SAE No. 30 Non-Detergent Oil.
- Suction Flange:** Gray Iron No. 25.
- Gaskets:** Cork.
- Hardware:** Standard Plated Steel.
- Discharge Service Tee:** Gray Iron No. 30.
- Oil Level Sight Gauge.**
- Optional Equipment:** Strainer.
Consult Factory for Additional Options.



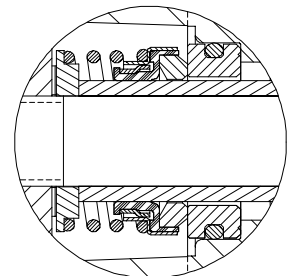
**Consult Factory for Applications Exceeding Maximum Pressure and/or Temperature Indicated.*



83A3-B SHOWN



83A3-B SEAL DETAIL Type 2, Mechanical, Self-Lubricated. Carbon Rotating Face. Ceramic Stationary Face. Buna-N Elastomers. Stainless Steel No. 18-8 Cage and Spring. Maximum Temperature of Liquid Pumped, 160°F (71 °C).*



83A52-B SEAL DETAIL Type 31, Mechanical, Self-Lubricated. Silicon Carbide Rotating and Stationary Faces. Fluorocarbon Elastomers (DuPont Viton[®] or Equivalent). Stainless Steel No. 18-8 Cage and Spring. Maximum Temperature of Liquid Pumped 160°F (71 °C).*



THE GORMAN-RUPP COMPANY • MANSFIELD, OHIO

GORMAN-RUPP OF CANADA LIMITED • ST. THOMAS, ONTARIO, CANADA

www.gormanrupp.com

Specifications Subject to Change Without Notice

Printed in U.S.A.

Specification Data

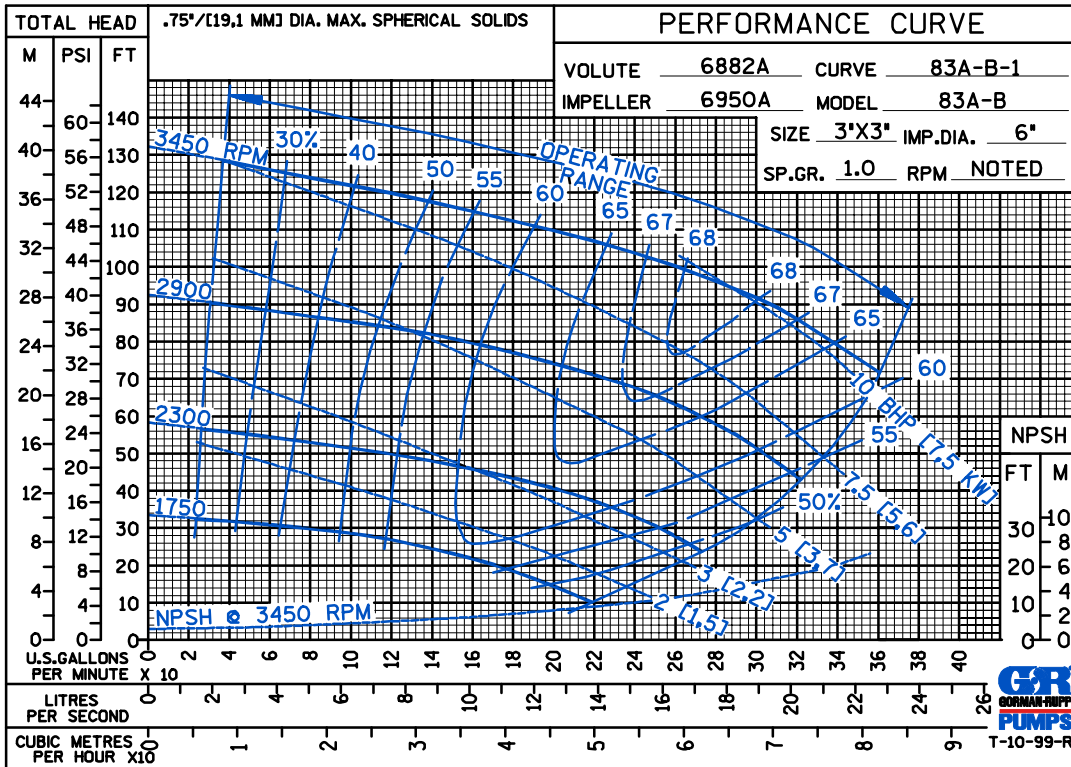
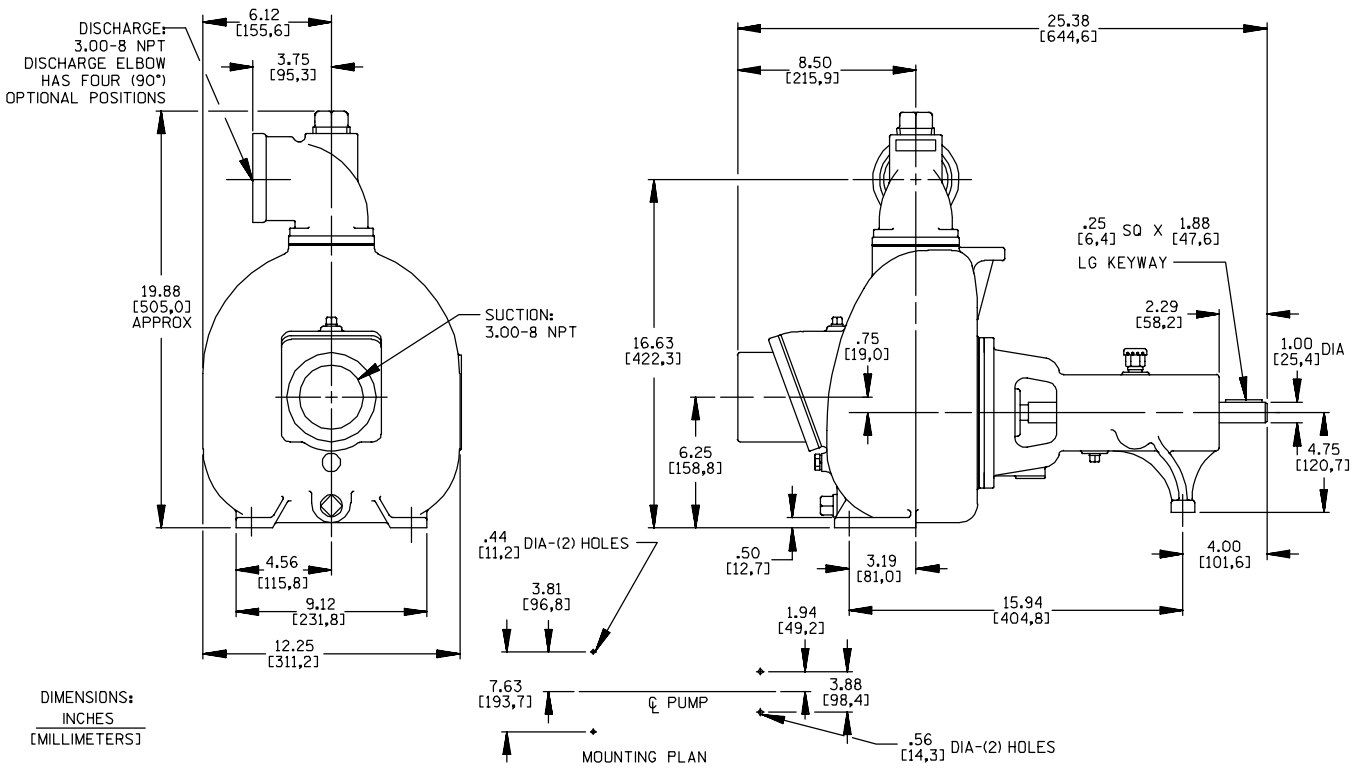
SECTION 50, PAGE 1451

APPROXIMATE
DIMENSIONS and WEIGHTS

NET WEIGHT: 115 LBS. (52,2 KG.)

SHIPPING WEIGHT: 125 LBS. (56,7 KG.)

EXPORT CRATE: 8.5 CU. FT. (0,24 CU. M.)



THE GORMAN-RUPP COMPANY • MANSFIELD, OHIO

GORMAN-RUPP OF CANADA LIMITED • ST. THOMAS, ONTARIO, CANADA

Specifications Subject to Change Without Notice

Printed in U.S.A.