

A B C D E

Basic Pedestal

# Self Priming Centrifugal Pump

## Models 82D3-B and 82D52-B

### Size 2" x 2"

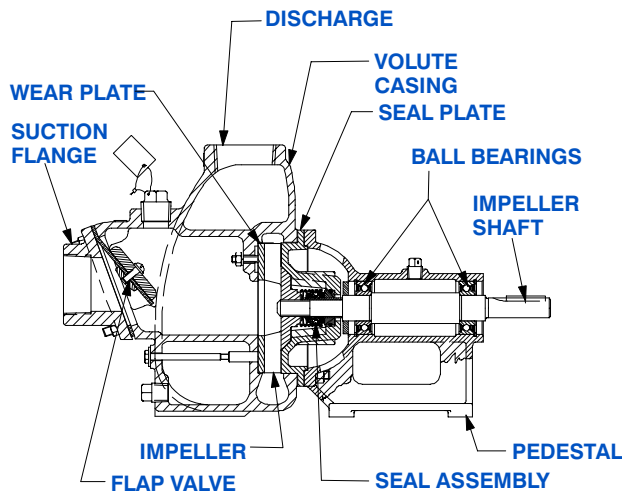


**PUMP SPECIFICATIONS**

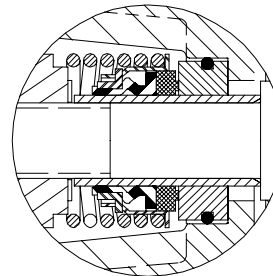
- Size:** 2" x 2" (51 mm x 51 mm) NPT - Female.
- Casing:** Gray Iron No. 30.  
Maximum Operating Pressure 69 psi (476 kPa)\*.
- Semi-Open Type, Three Vane Impeller:** Gray Iron No. 30.  
Handles 5/8" (15,9 mm) Diameter Spherical Solids.
- Impeller Shaft:** Carbon Steel No. 1215
- Replaceable Wear Plate:** Carbon Steel No. 1026.
- Pedestal:** Gray Iron No. 30.
- Shaft Sleeve:** Stainless Steel No. 304.
- Seal Plate:** Gray Iron No. 30.
- Flap Valve:** Buna-N<sup>W</sup>/Nylon Reinforcement, Gray Iron No. 30 and Steel.
- Radial and Thrust Bearings:** Open Single Row Ball.
- Bearing Lubrication:** Grease.
- Flange:** Gray Iron No. 30.
- Gaskets:** Cork.
- Hardware:** Standard Plated Steel.
- Optional Equipment:**  
Galvanized Ductile Iron Discharge Elbow.  
Consult Factory for Additional Options.



*\*Consult Factory for Applications Exceeding Maximum Pressure and/or Temperature Indicated.*

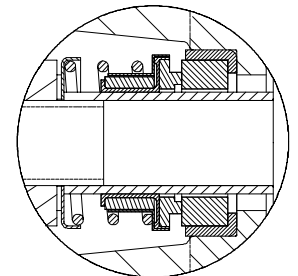


82D3-B SHOWN



**82D3-B SEAL DETAIL** Type 2, Mechanical, Self-Lubricated. Carbon Rotating Face. Ceramic Stationary Face. Buna-N Elastomers. Stainless Steel No. 18-8 Cage and Spring. Maximum Temperature of Liquid Pumped, 160°F (71 °C).\*

**82D52-B SEAL DETAIL** Type 31, Mechanical, Self-Lubricated. Silicon Carbide Rotating and Stationary Faces. Fluorocarbon Elastomers (DuPont Viton<sup>®</sup> or Equivalent). Stainless Steel No. 316 Cage and Spring. Maximum Temperature of Liquid Pumped 160°F (71 °C).\*



THE GORMAN-RUPP COMPANY • MANSFIELD, OHIO

GORMAN-RUPP OF CANADA LIMITED • ST. THOMAS, ONTARIO, CANADA

www.gormanrupp.com

Specifications Subject to Change Without Notice

Printed in U.S.A.

