

C D F S W

Basic Pump



Self Priming Centrifugal Pump

Model U6A60S-B

Size 6" x 6"



PUMP SPECIFICATIONS

- Size:** 6" (152 mm) Flange Suction x 6" (152 mm) NPT Female Discharge.
- Casing:** Gray Iron No. 30.
Maximum Operating Pressure 123 psi (848 kPa).*
- Semi-Open Type, Five Vane Impeller:** Ductile Iron 65-45-12.
Handles 1 1/4" (31,7 mm) Diameter Spherical Solids.
- Impeller Shaft:** Alloy Steel No. 4150.
- Replaceable Wear Plate:** Gray Iron No. 30.
- Removable Adjustable Cover Plate:** Gray Iron No. 30; 80 lbs. (36 kg).
- Suction Extension Pipe:** Schedule 40 Steel ^{w/}Gray Iron Flange.
- Bearing Housing:** Gray Iron No. 30.
- Seal Plate:** Gray Iron No. 30.
- Shaft Sleeve:** Alloy Steel No. 4130.
- Radial and Thrust Bearings:** Open Double Row Ball.
- Bearing and Seal Cavity Lubrication:** SAE No. 30 Non-Detergent Oil.
- Flanges:** 125# Gray Iron No. 30.
- Gaskets:** Cork, Rubber, PTFE and Buna-N ^{w/}Compressed Synthetic Fibers.
- O-Rings:** Buna-N.
- Hardware:** Standard Plated Steel.
- Brass Pressure Relief Valve.**
- Victaulic® Suction Coupling.**
- Bearing and Seal Cavity Oil Level Sight Gauges.**
- Optional Equipment:** Stainless Steel No. 316 Pressure Relief Valve. G-R Hard Iron Impeller, Seal Plate and Wear Plate. Automatic Air Release Valve. 120V/240V Casing Heater. High Pump Temperature Shutdown Kit. Permalon, Kalrez or Fluorocarbon Metal Bellow Seals. Stainless Steel Cartridge Seal.
- 6" ASA Gray Iron No. 30 Discharge Spool Flange:
(Specify Model U6A60S-B /F).
- 150 mm DIN 2527 (PN 16) Gray Iron No. 30 Suction and Discharge Spool Flanges: (Specify Model U6A60S-B /FM).

*Consult Factory for Applications Exceeding Maximum Pressure and/or Temperature Indicated.

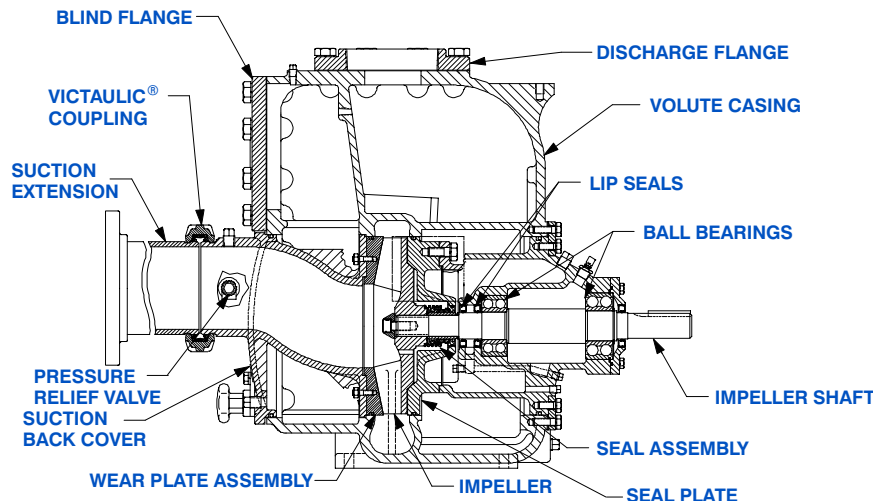
Victaulic is a Registered Trademark of Victaulic Company of America.



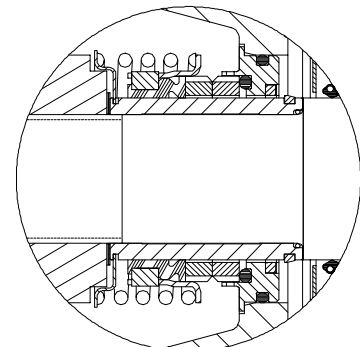
Shown w/Optional Discharge Spool Flange

SEAL SPECIFICATIONS

Cartridge Type, Mechanical, Oil-Lubricated, Double Floating, Self-Aligning. Silicon Carbide Rotating and Stationary Faces. Stainless Steel No. 316 Stationary Seat. Fluorocarbon Elastomers (DuPont Viton® or Equivalent). Stainless Steel No. 18-8 Cage and Spring. Maximum Temperature of Liquid Pumped, 160°F (71°C).*



SEAL AREA DETAIL



THE GORMAN-RUPP COMPANY • MANSFIELD, OHIO

GORMAN-RUPP OF CANADA LIMITED • ST. THOMAS, ONTARIO, CANADA

www.gormanrupp.com
Specifications Subject to Change Without Notice

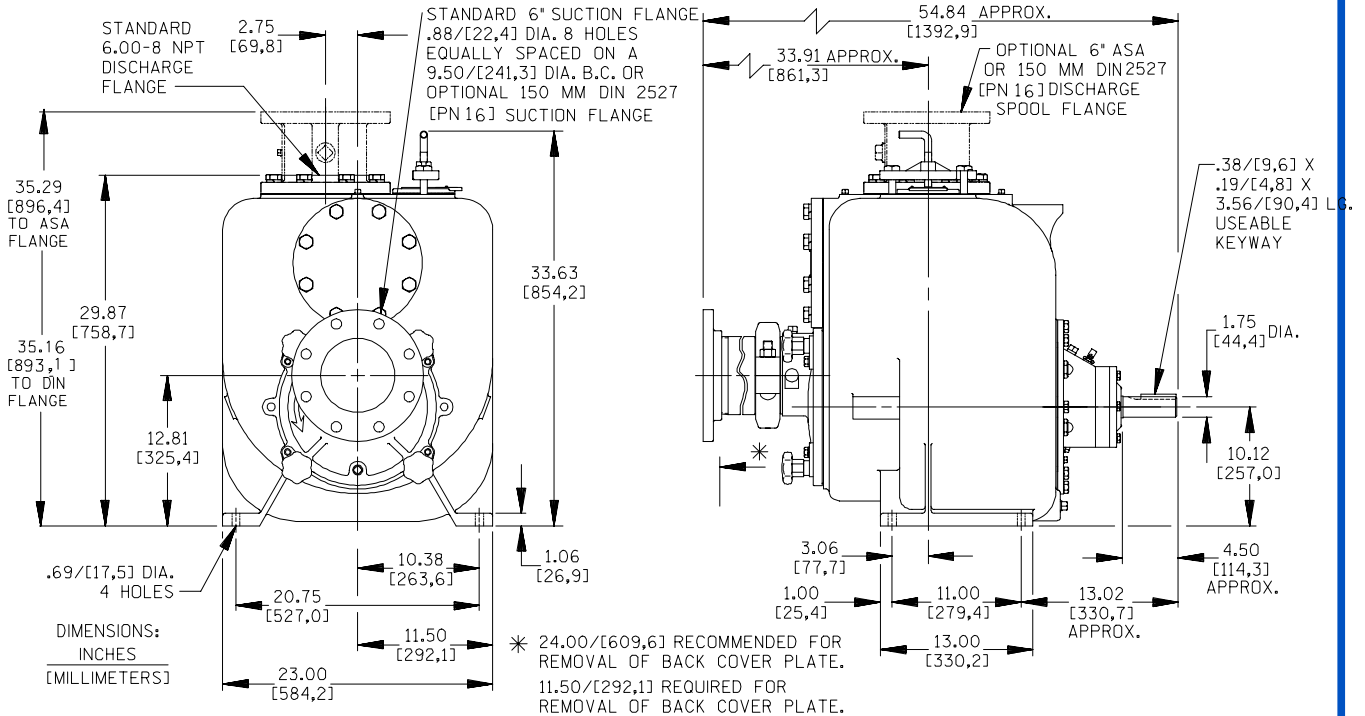
Printed in U.S.A.

Specification Data

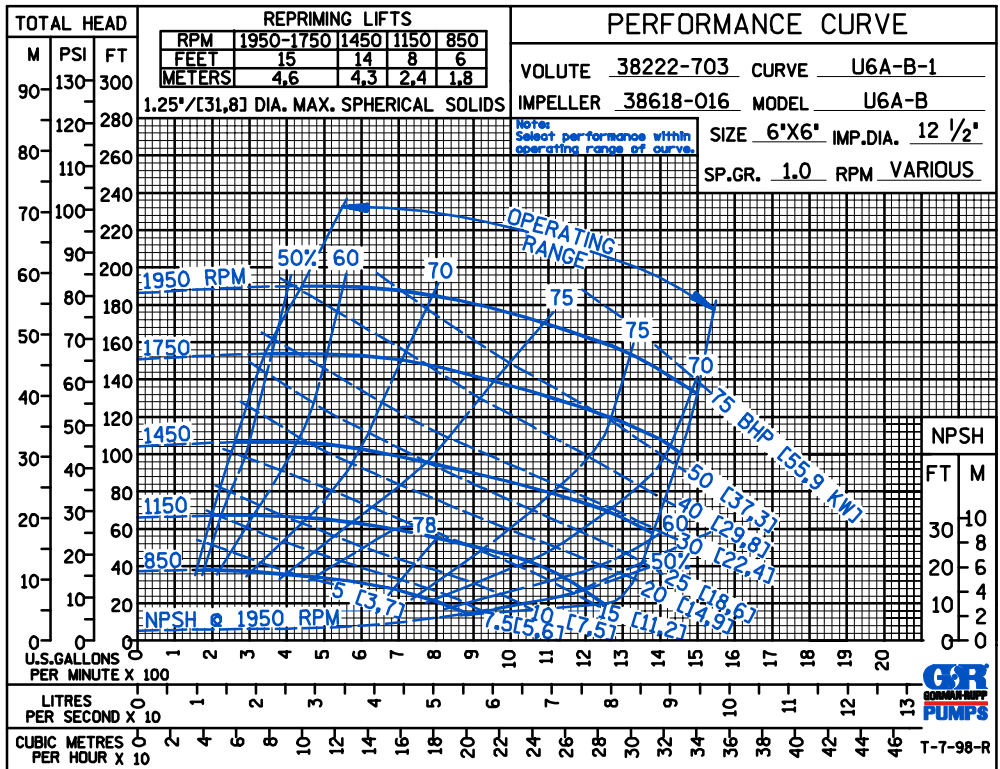
SECTION 50, PAGE 2900

APPROXIMATE
DIMENSIONS and WEIGHTS

NET WEIGHT: 1050 LBS. (476 KG.)
SHIPPING WEIGHT: 1150 LBS. (522 KG.)
EXPORT CRATE: 32.5 CU. FT. (0,92 CU. M.)



NOTE: OPTIONAL ASA OR DIN STANDARD SPOOL FLANGES AVAILABLE



THE GORMAN-RUPP COMPANY • MANSFIELD, OHIO

GORMAN-RUPP OF CANADA LIMITED • ST. THOMAS, ONTARIO, CANADA

Specifications Subject to Change Without Notice

Printed in U.S.A.

CDSW

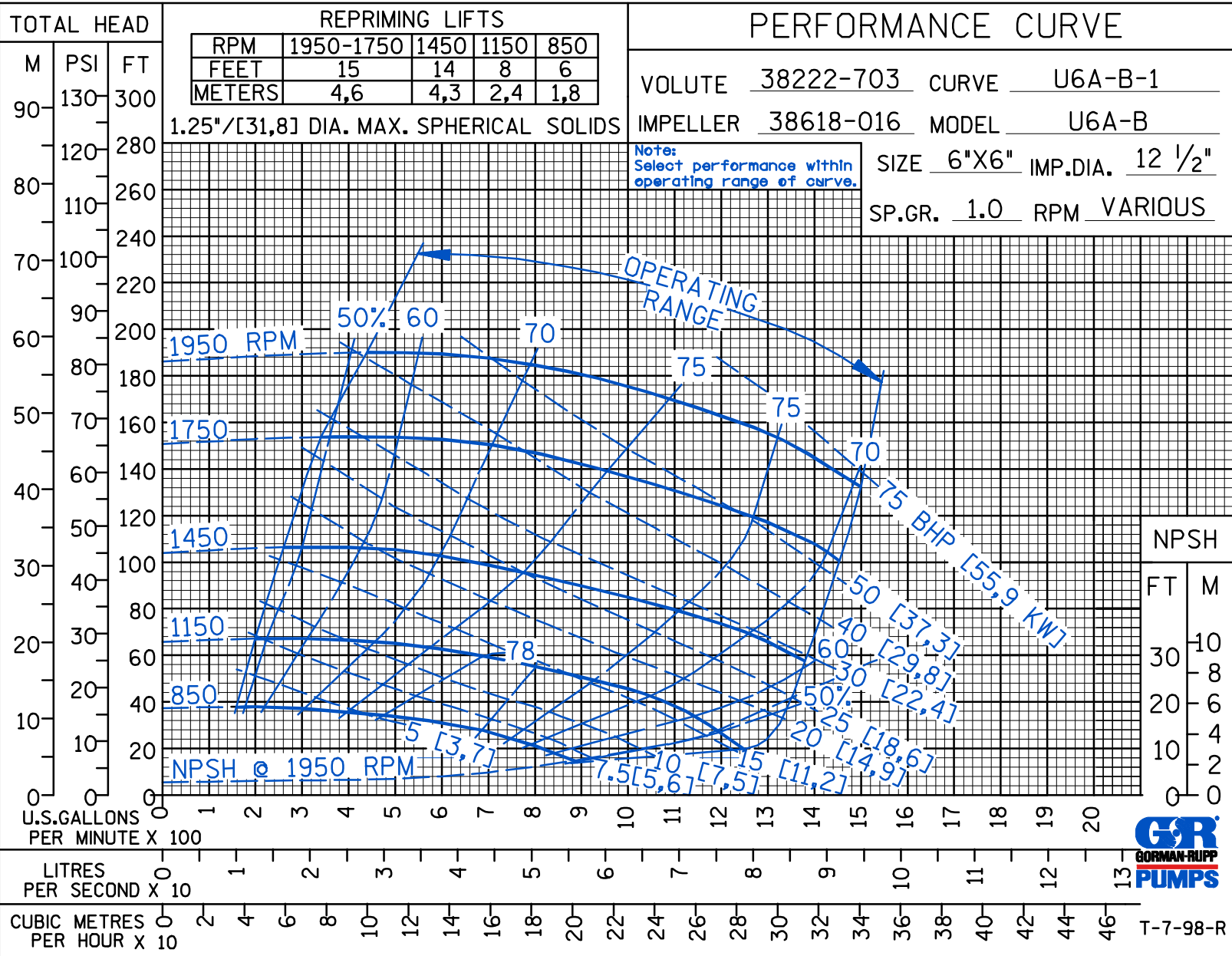
PERFORMANCE CURVE

VOLUTE 38222-703 CURVE U6A-B-1
 IMPELLER 38618-016 MODEL U6A-B
 SIZE 6"X6" IMP.DIA. 12 1/2"
 SP.GR. 1.0 RPM VARIOUS

REPRIMING LIFTS				
RPM	1950-1750	1450	1150	850
FEET	15	14	8	6
METERS	4,6	4,3	2,4	1,8

1.25"/[31,8] DIA. MAX. SPHERICAL SOLIDS

Note:
Select performance within
operating range of curve.



NPSH
 FT M
 10 8
 30 24
 20 16
 10 8
 0 0

GR
 GORMAN-RUPP
PUMPS

T-7-98-R



THE GORMAN-RUPP COMPANY • MANSFIELD, OHIO

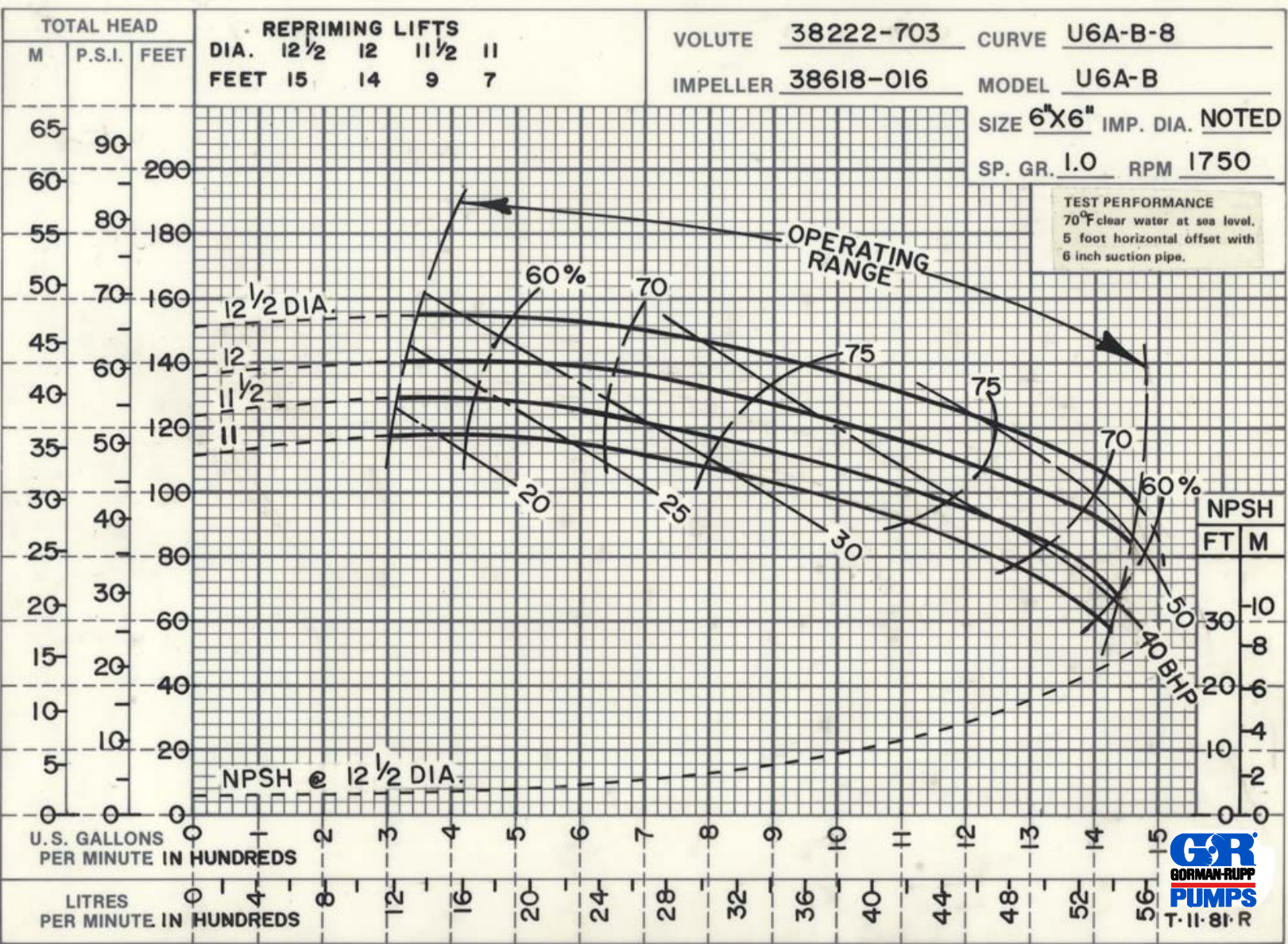
GORMAN-RUPP OF CANADA LIMITED • ST. THOMAS, ONTARIO, CANADA

www.grpumps.com

Specifications Subject to Change Without Notice

Printed in U.S.A.

CDSW

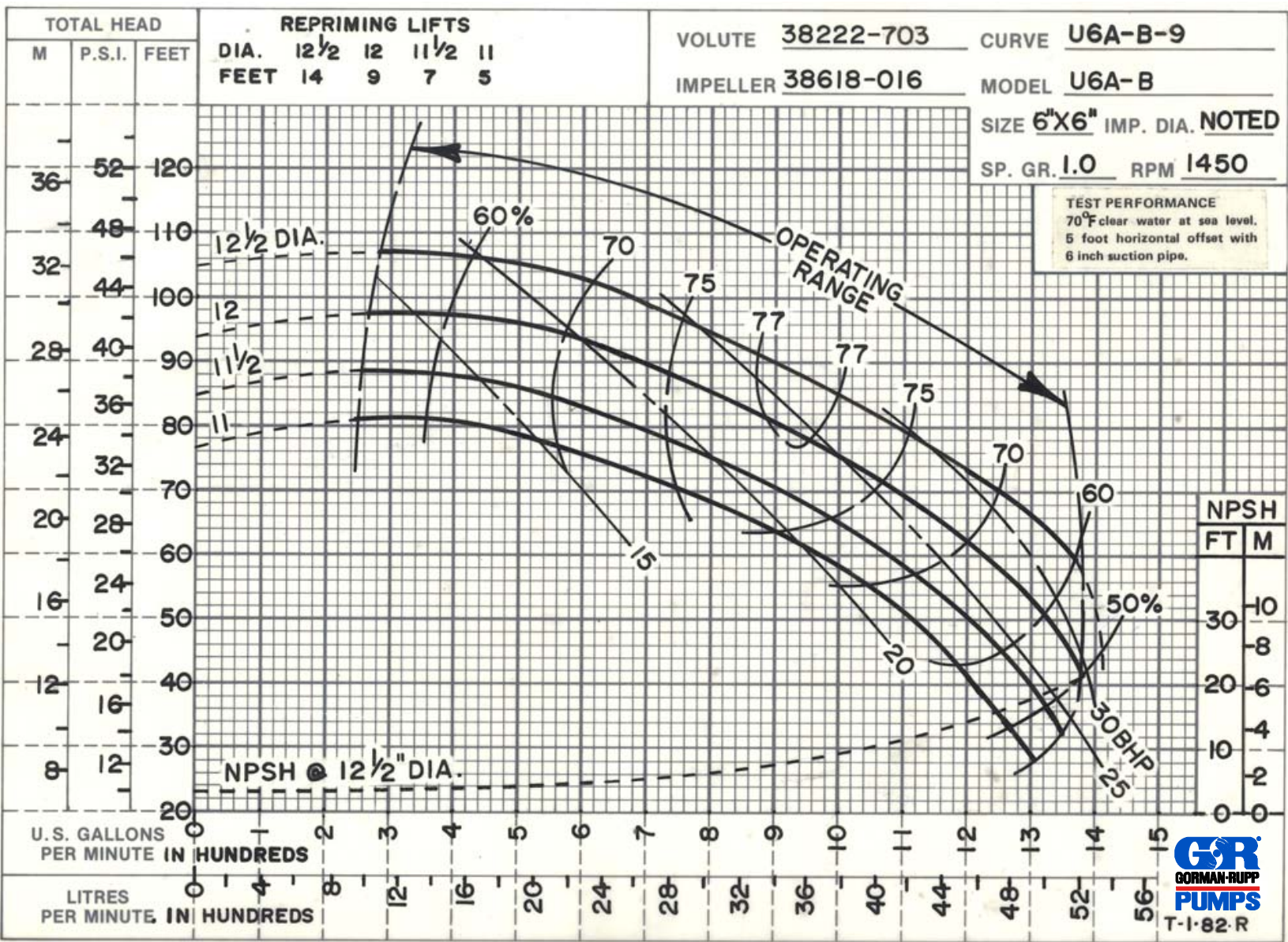


THE GORMAN-RUPP COMPANY • MANSFIELD, OHIO
 GORMAN-RUPP OF CANADA LIMITED • ST. THOMAS, ONTARIO, CANADA

www.grpumps.com
 Specifications Subject to Change Without Notice

Printed in U.S.A.

CDSW



THE GORMAN-RUPP COMPANY • MANSFIELD, OHIO
 GORMAN-RUPP OF CANADA LIMITED • ST. THOMAS, ONTARIO, CANADA

www.grpumps.com

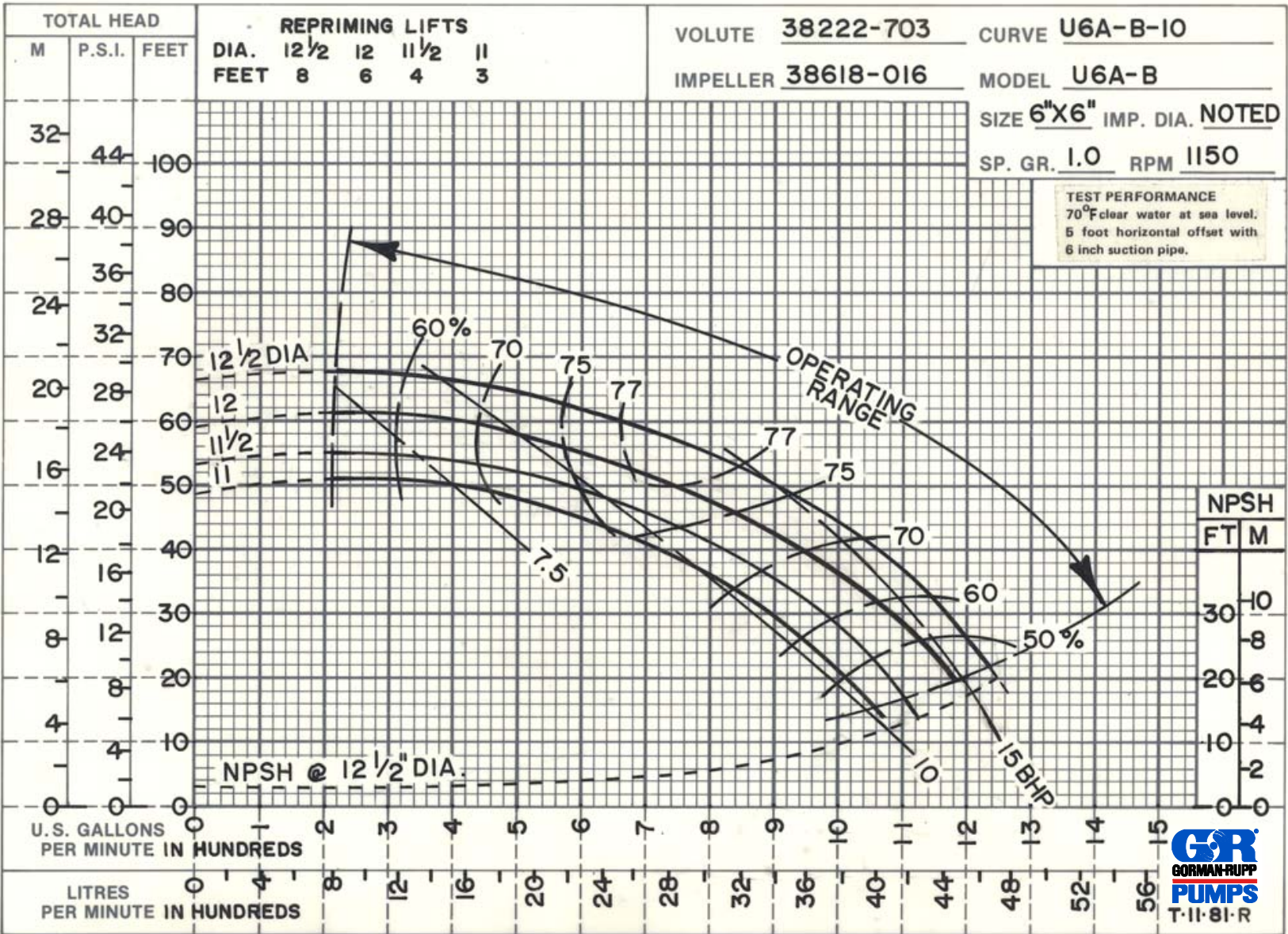
Specifications Subject to Change Without Notice

Printed in U.S.A.



T-1-82-R

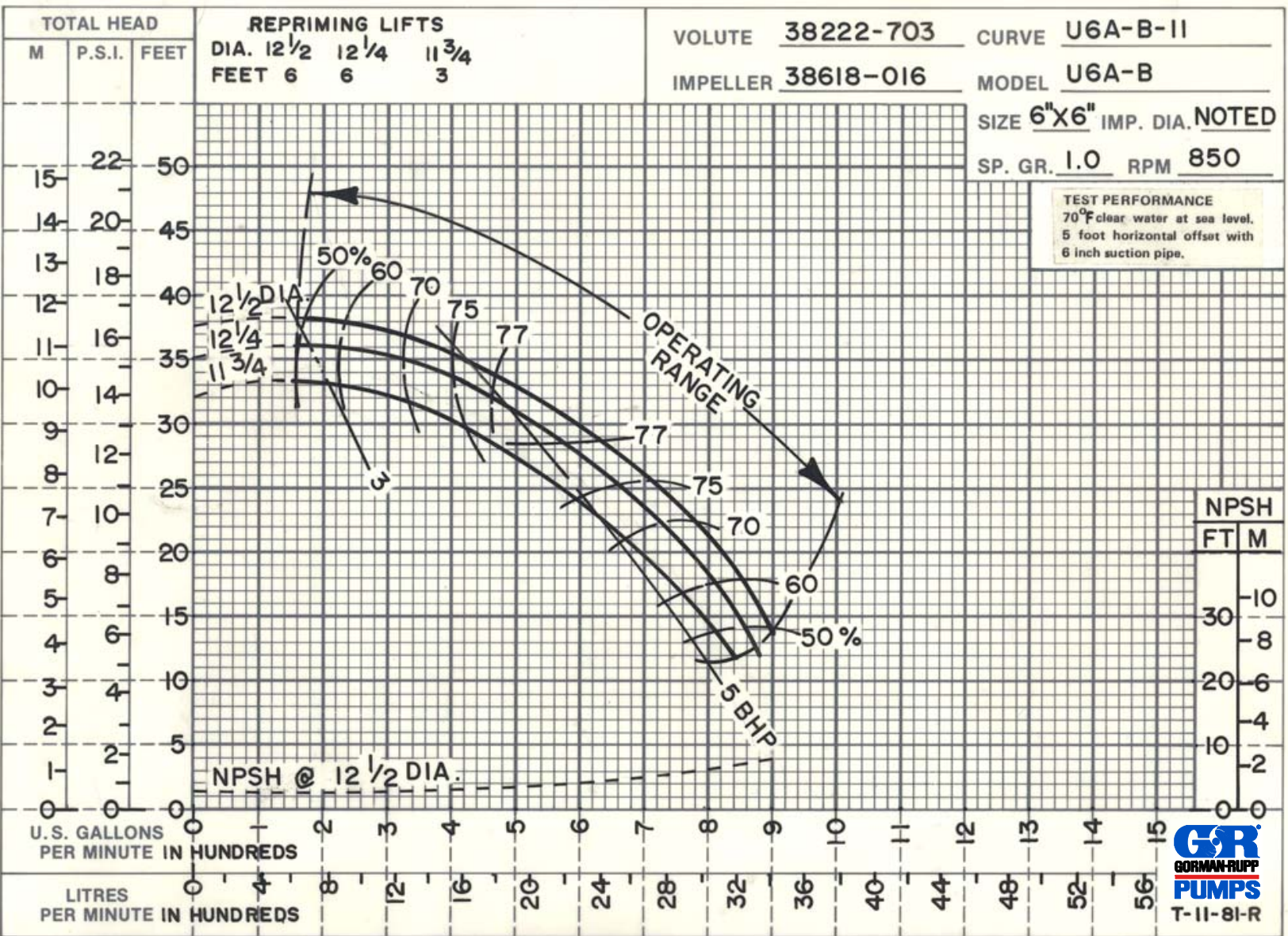
CDSW



THE GORMAN-RUPP COMPANY • MANSFIELD, OHIO
 GORMAN-RUPP OF CANADA LIMITED • ST. THOMAS, ONTARIO, CANADA

www.grpumps.com
 Specifications Subject to Change Without Notice

Printed in U.S.A.



THE GORMAN-RUPP COMPANY • MANSFIELD, OHIO

GORMAN-RUPP OF CANADA LIMITED • ST. THOMAS, ONTARIO, CANADA

www.grpumps.com

Specifications Subject to Change Without Notice

Printed in U.S.A.