

C D F S W

Basic Pump

Self Priming Centrifugal Pump



Model U3B60S-B
Size 3" x 3"



PUMP SPECIFICATIONS

- Size:** 3" x 3" (76 mm x 76 mm) NPT - Female.
- Casing:** Gray Iron No. 30.
Maximum Operating Pressure 137 psi (945 kPa).*
- Semi-Open Type, Six Vane Impeller:** Ductile Iron 60-40-18.
Handles 13/16" (20,6 mm) Diameter Spherical Solids.
- Impeller Shaft:** Alloy Steel No. 4140.
- Replaceable Wear Plate:** Gray Iron No. 30.
- Removable Adjustable Cover Plate:** Gray Iron No. 30; 48 lbs. (22 kg).
- Bearing Housing:** Gray Iron No. 30.
- Seal Plate:** Gray Iron No. 30.
- Shaft Sleeve:** Alloy Steel No. 4130.
- Flap Valve:** Neoprene w/Nylon and Steel Reinforcing.
- Radial Bearing:** Open Single Row Ball.
- Thrust Bearing:** Open Double Row Ball.
- Bearing and Seal Cavity Lubrication:** SAE No. 30 Non-Detergent Oil.
- Flanges:** 125# Gray Iron No. 30.
- Gaskets:** Cork, Rubber, Vegetable Fiber, PTFE, Buna-N w/Compressed Synthetic Fibers.
- O-Rings:** Buna-N.
- Hardware:** Standard Plated Steel.
- Brass Pressure Relief Valve.**
- Bearing and Seal Cavity Oil Level Sight Gauges.**
- Optional Equipment:** Stainless Steel No. 316 Pressure Relief Valve. G-R Hard Iron Impeller, Seal Plate and Wear Plate. Automatic Air Release Valve. 120V/240V Casing Heater. High Pump Temperature Shutdown Kit. Permalon, Kalrez or Fluorocarbon Metal Bellow Seals. Stainless Steel Cartridge Seal. Gray Iron No. 30 Suction and Discharge Spool Flanges:
3" ASA (**Specify Model U3B60S-B /F**).
80 mm DIN 2527 (PN 16). (**Specify Model U3B60S-B /FM**).

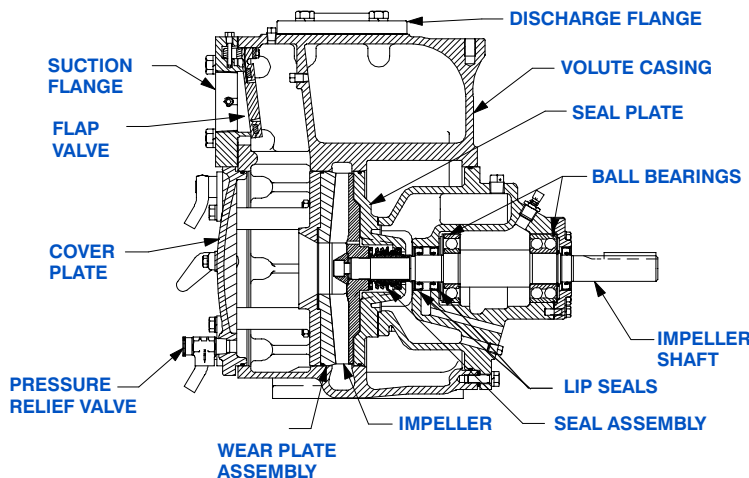
**Consult Factory for Applications Exceeding Maximum Pressure and/or Temperature Indicated.*



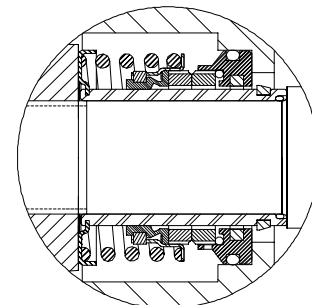
Shown w/Optional Pool Flanges

SEAL SPECIFICATIONS

Cartridge Type, Mechanical, Oil-Lubricated, Double Floating, Self-Aligning. Silicon Carbide Rotating and Stationary Faces. Stainless Steel No. 316 Stationary Seat. Fluorocarbon Elastomers (DuPont Viton® or Equivalent). Stainless Steel No. 18-8 Cage and Spring. Maximum Temperature of Liquid Pumped, 160°F (71°C).*



SEAL AREA DETAIL



THE GORMAN-RUPP COMPANY • MANSFIELD, OHIO

GORMAN-RUPP OF CANADA LIMITED • ST. THOMAS, ONTARIO, CANADA

www.gormanrupp.com

Specifications Subject to Change Without Notice

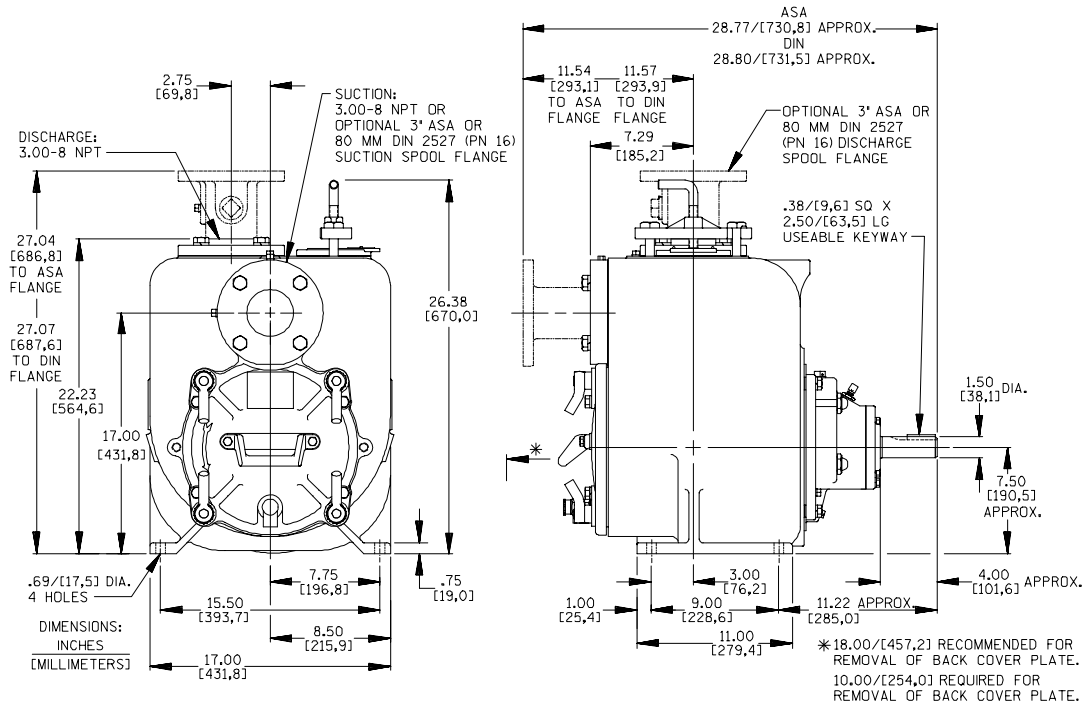
Printed in U.S.A.

Specification Data

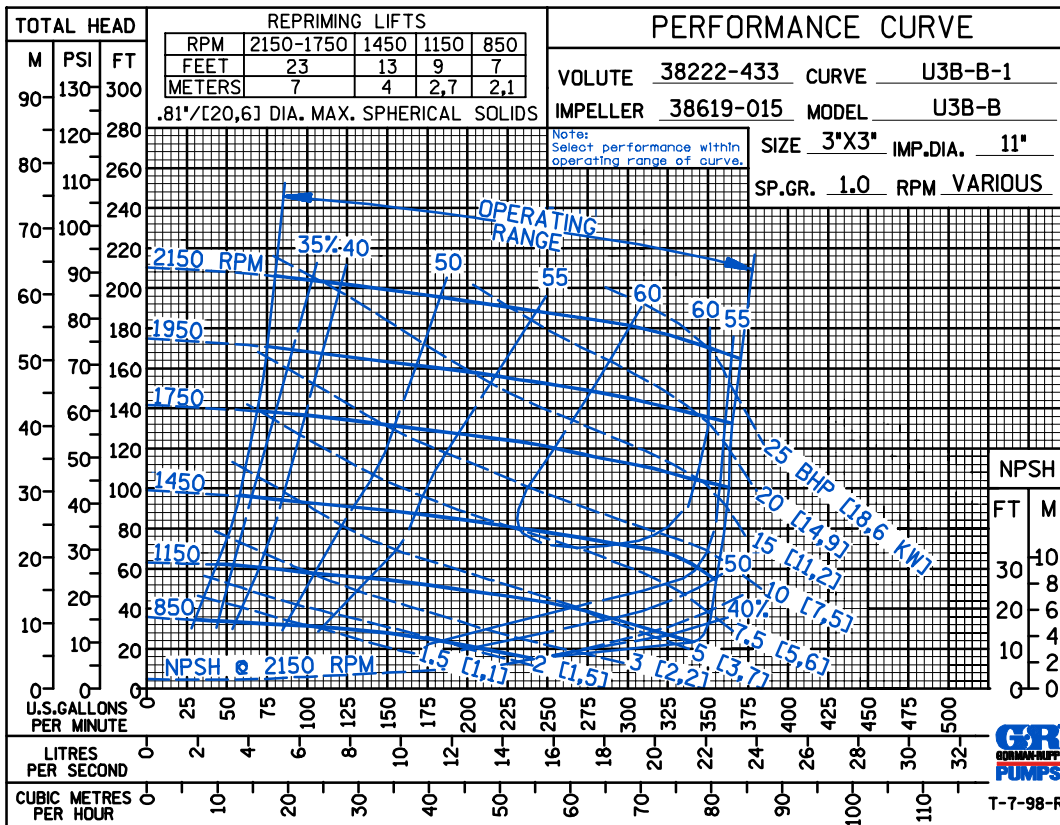
SECTION 50, PAGE 2710

APPROXIMATE DIMENSIONS and WEIGHTS

NET WEIGHT: 490 LBS. (222 KG.)
SHIPPING WEIGHT: 515 LBS. (234 KG.)
EXPORT CRATE: 14 CU. FT. (0,4 CU. M.)



NOTE: OPTIONAL ASA OR DIN STANDARD SPOOL FLANGES AVAILABLE



THE GORMAN-RUPP COMPANY • MANSFIELD, OHIO

GORMAN-RUPP OF CANADA LIMITED • ST. THOMAS, ONTARIO, CANADA

Specifications Subject to Change Without Notice

Printed in U.S.A.

CDSW

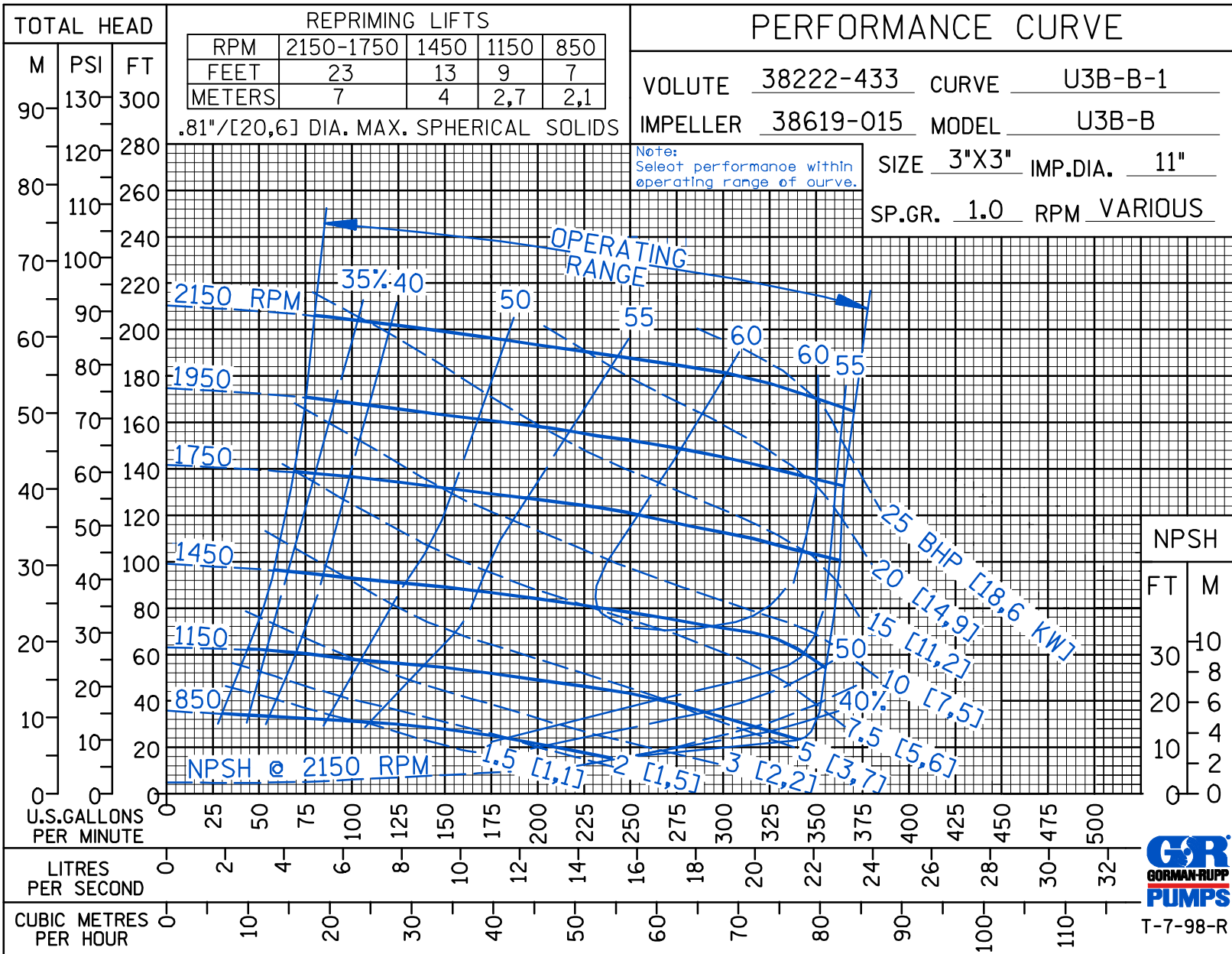
PERFORMANCE CURVE

VOLUTE 38222-433 CURVE U3B-B-1
 IMPELLER 38619-015 MODEL U3B-B
 SIZE 3"X3" IMP.DIA. 11"
 SP.GR. 1.0 RPM VARIOUS

REPRIMING LIFTS				
RPM	2150-1750	1450	1150	850
FEET	23	13	9	7
METERS	7	4	2,7	2,1

.81"/[20,6] DIA. MAX. SPHERICAL SOLIDS

Note:
Select performance within
operating range of curve.



NPSH
 FT M
 30 10
 20 8
 10 6
 0 4
 0 2
 0 0



T-7-98-R



THE GORMAN-RUPP COMPANY • MANSFIELD, OHIO

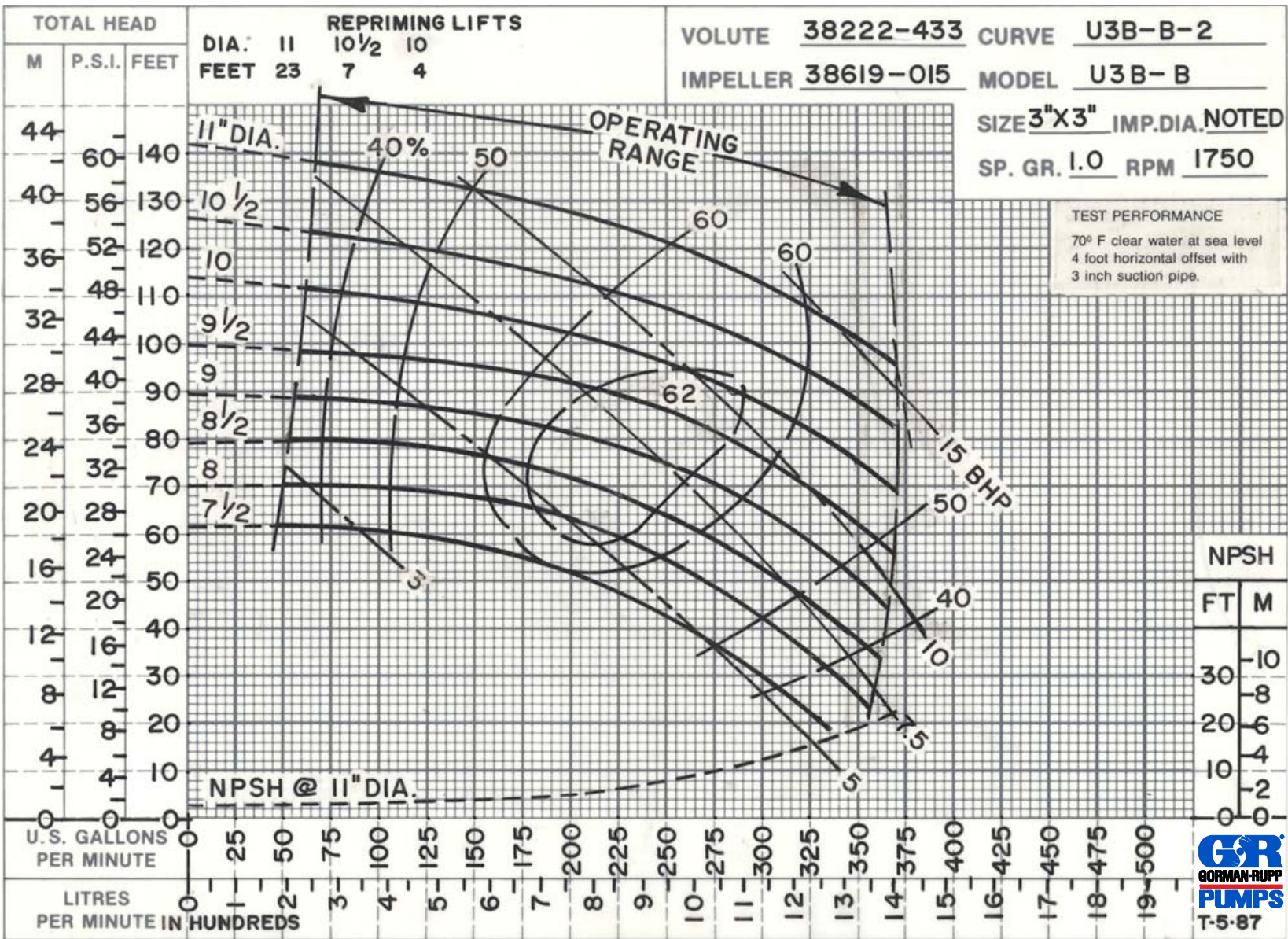
GORMAN-RUPP OF CANADA LIMITED • ST. THOMAS, ONTARIO, CANADA

www.grpumps.com

Specifications Subject to Change Without Notice

Printed in U.S.A.

CDSW

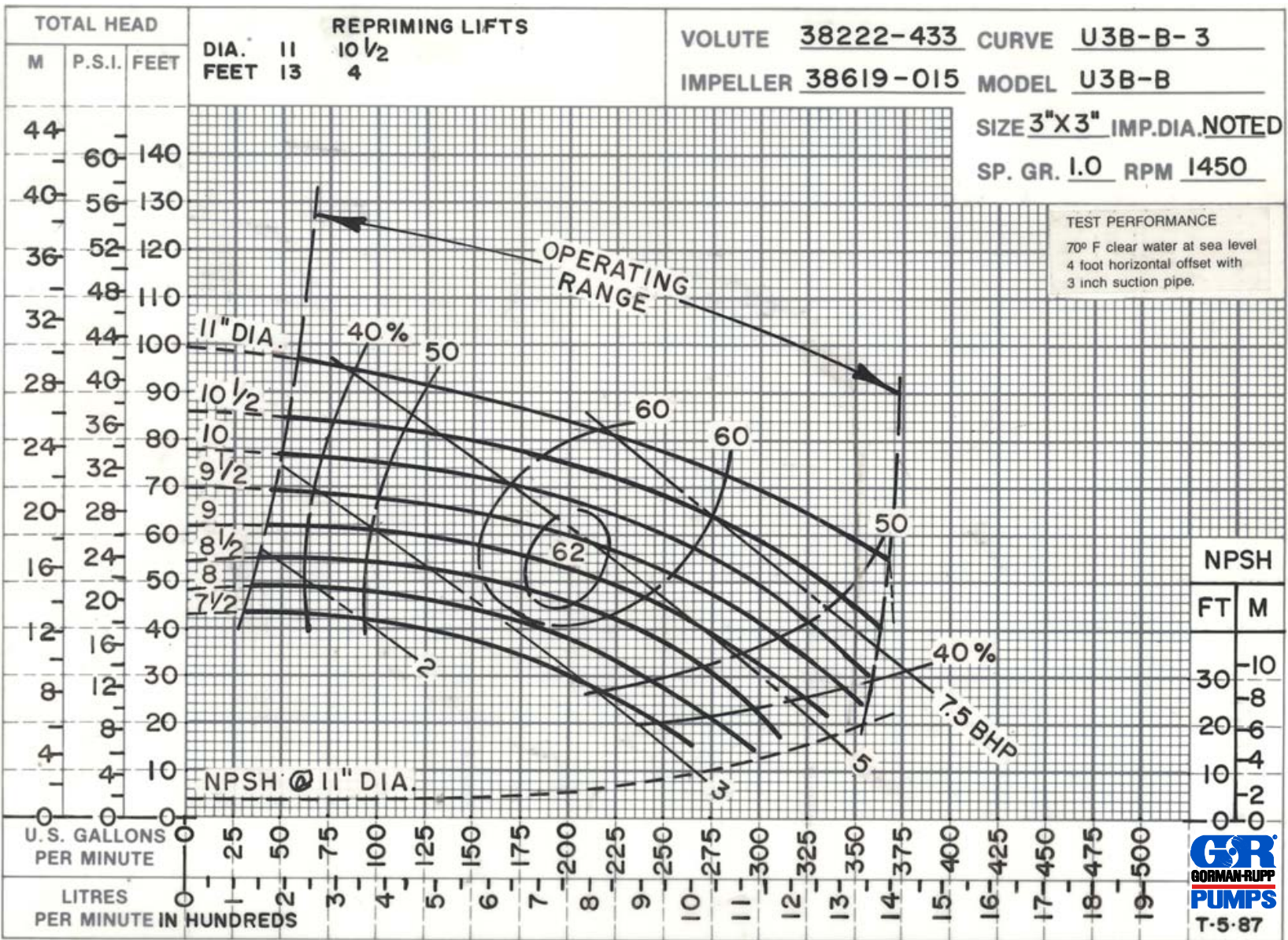


THE GORMAN-RUPP COMPANY • MANSFIELD, OHIO
GORMAN-RUPP OF CANADA LIMITED • ST. THOMAS, ONTARIO, CANADA

www.grpumps.com
Specifications Subject to Change Without Notice

Printed in U.S.A.

CDSW



THE GORMAN-RUPP COMPANY • MANSFIELD, OHIO

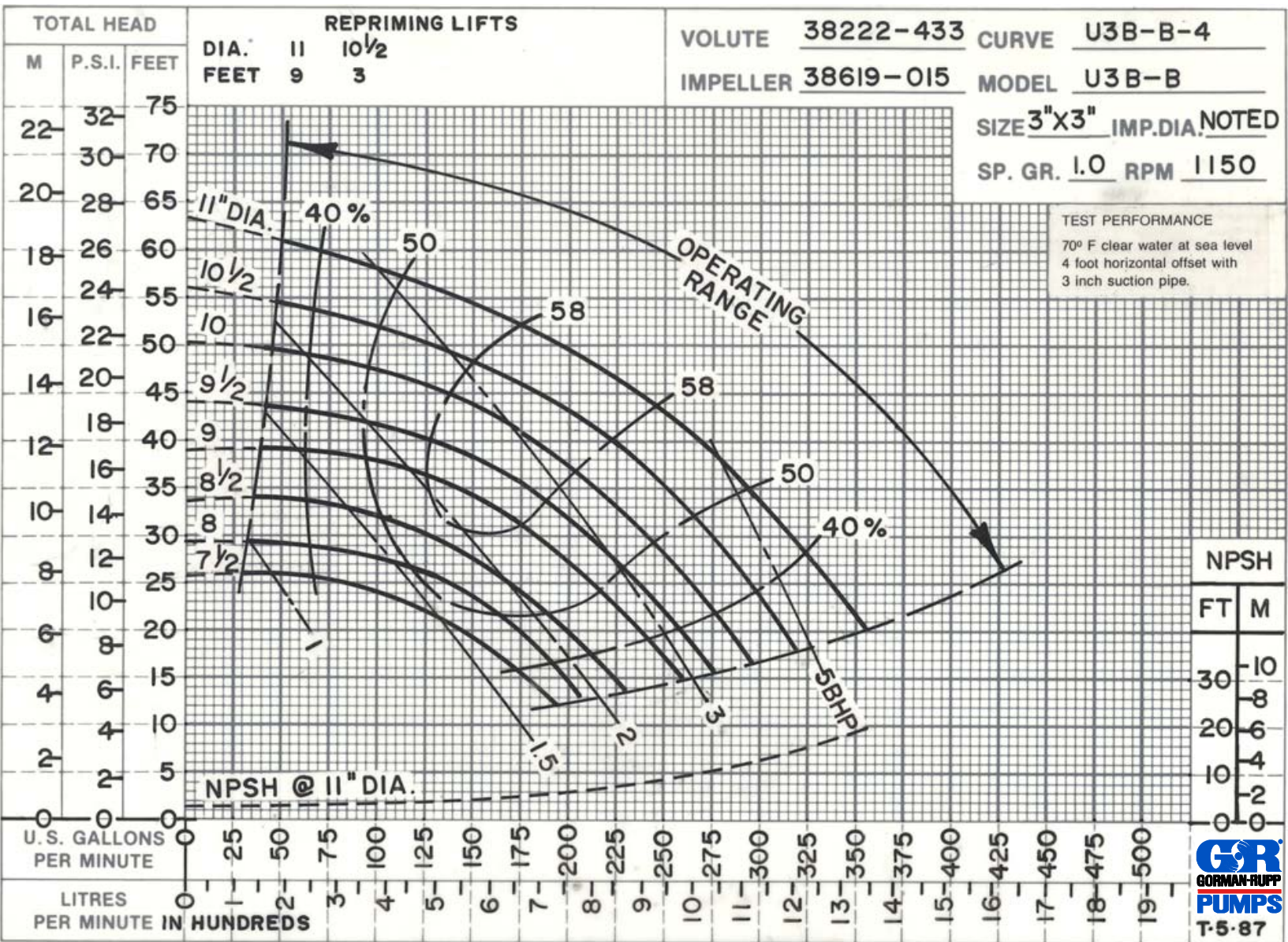
GORMAN-RUPP OF CANADA LIMITED • ST. THOMAS, ONTARIO, CANADA

www.grpumps.com

Specifications Subject to Change Without Notice

Printed in U.S.A.

CDSW



THE GORMAN-RUPP COMPANY • MANSFIELD, OHIO
 GORMAN-RUPP OF CANADA LIMITED • ST. THOMAS, ONTARIO, CANADA

www.grpumps.com
 Specifications Subject to Change Without Notice

Printed in U.S.A.