

C D F S W

Basic Pump

# Self Priming Centrifugal Pump



## Model U3A60S-B

Size 3" x 3"



**PUMP SPECIFICATIONS**

**Size:** 3" (76 mm) Flange Suction x 3" (76 mm) NPT Discharge.

**Casing:** Gray Iron No. 30.

Maximum Operating Pressure 139 psi (958 kPa).\*

**Semi-Open Type, Six Vane Impeller:** Ductile Iron 60-40-18.

Handles 13/16" (20,6 mm) Diameter Spherical Solids.

**Impeller Shaft:** Alloy Steel No. 4150.

**Replaceable Wear Plate:** Gray Iron No. 30.

**Removable Adjustable Cover Plate:** Gray Iron No. 30; 60 lbs. (27 kg).

**Suction Extension Pipe:** Schedule 40 Steel w/Gray Iron Flange.

**Bearing Housing:** Gray Iron No. 30.

**Seal Plate:** Gray Iron No. 30.

**Shaft Sleeve:** Alloy Steel No. 4130.

**Radial Bearing:** Open Single Row Ball.

**Thrust Bearing:** Open Double Row Ball.

**Bearing and Seal Cavity Lubrication:** SAE No. 30 Non-Detergent Oil.

**Flanges:** 125# Gray Iron No. 30.

**Gaskets:** Cork, Rubber, Vegetable Fiber and PTFE.

**O-Rings:** Buna-N and Fluorocarbon (DuPont Viton® or Equivalent).

**Hardware:** Standard Plated Steel.

**Brass Pressure Relief Valve.**

**Victaulic® Suction Coupling.**

**Bearing and Seal Cavity Oil Level Sight Gauges.**

**Optional Equipment:** Stainless Steel No. 316 Pressure Relief Valve.

G-R Hard Iron and Stainless Steel Impeller, Seal Plate, and Wear Plate.

Automatic Air Release Valve. 120V/240V Casing Heater. High Pump

Temperature Shutdown Kit. Permalon, Kalrez or Fluorocarbon Metal

Bellow Seals. Stainless Steel Cartridge Seal.

Discharge Spool Flange: Gray Iron No. 30.

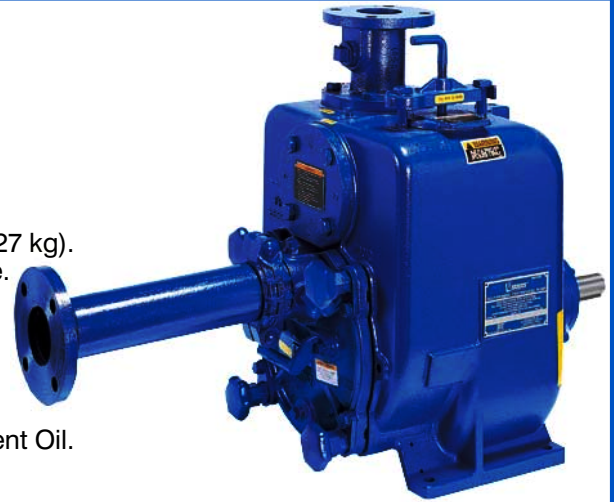
3" ASA (Specify Model U3A60-B /F).

80 mm DIN 2527 (PN 16). Gray Iron No. 30 Suction and Discharge

Spool Flanges. (Specify Model U3A60-B /FM).

*\*Consult Factory for Applications Exceeding Maximum Pressure and/or Temperature Indicated.*

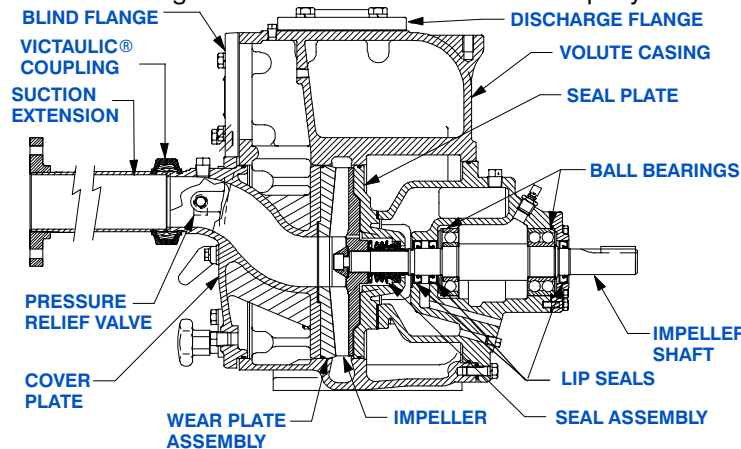
Victaulic is a Registered Trademark of Victaulic Company of America.



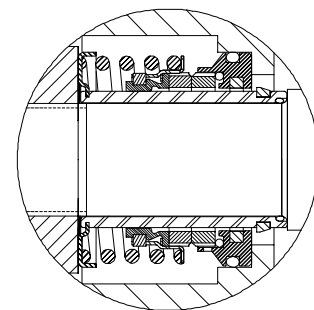
Shown w/Optional Discharge Spool Flange

**SEAL SPECIFICATIONS**

Cartridge Type, Mechanical, Oil-Lubricated, Double Floating, Self-Aligning. Silicon Carbide Rotating and Stationary Faces. Stainless Steel No. 316 Stationary Seat. Fluorocarbon Elastomers (DuPont Viton® or Equivalent). Stainless Steel No. 18-8 Cage and Spring. Maximum Temperature of Liquid Pumped, 160°F (71°C).\*



**SEAL AREA DETAIL**



THE GORMAN-RUPP COMPANY • MANSFIELD, OHIO

GORMAN-RUPP OF CANADA LIMITED • ST. THOMAS, ONTARIO, CANADA

www.gormanrupp.com

Specifications Subject to Change Without Notice

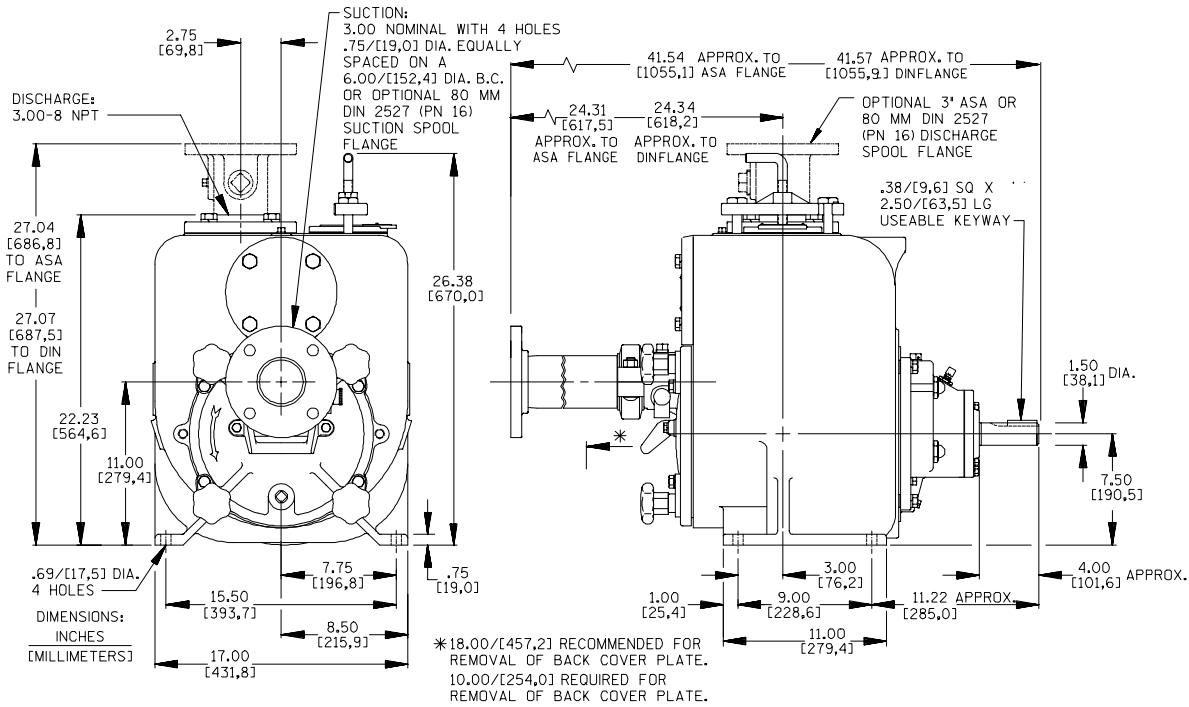
Printed in U.S.A.

# Specification Data

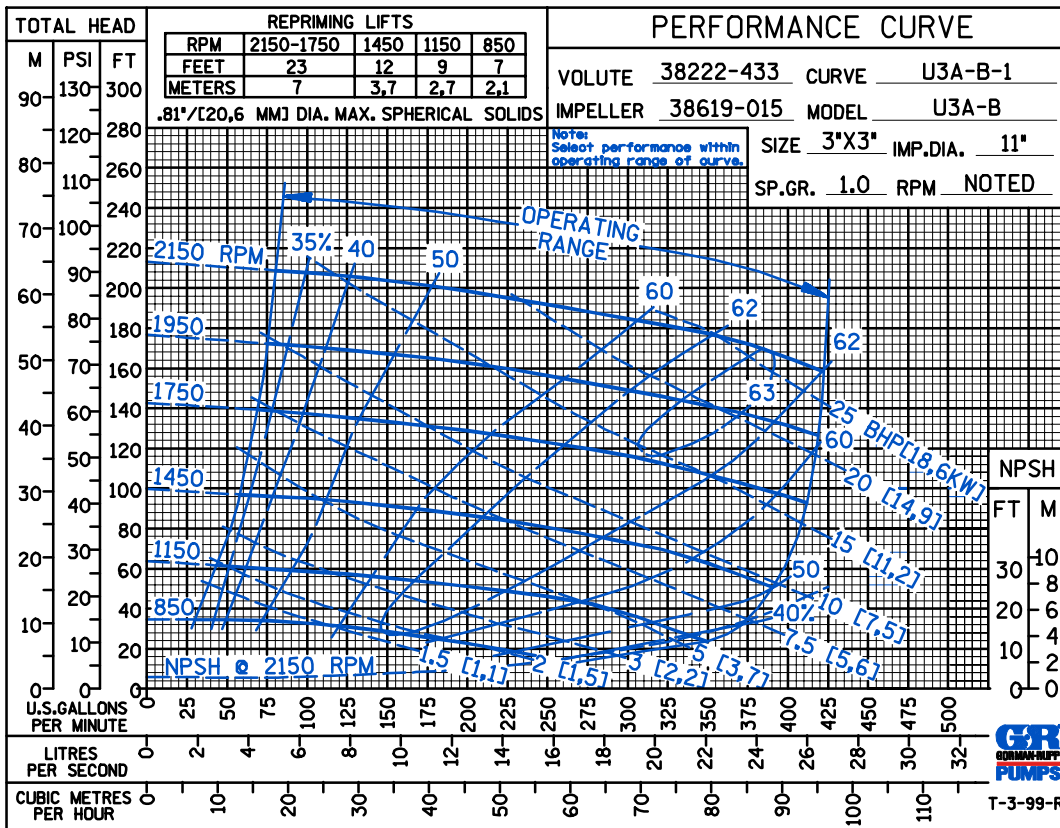
SECTION 50, PAGE 2700

APPROXIMATE DIMENSIONS and WEIGHTS

**NET WEIGHT:** 511 LBS. (231 KG.)  
**SHIPPING WEIGHT:** 531 LBS. (241 KG.)  
**EXPORT CRATE:** 20 CU. FT. (0,59 CU. M.)



**NOTE: OPTIONAL ASA OR DIN STANDARD SPOOL FLANGES AVAILABLE**



THE GORMAN-RUPP COMPANY • MANSFIELD, OHIO

GORMAN-RUPP OF CANADA LIMITED • ST. THOMAS, ONTARIO, CANADA

Specifications Subject to Change Without Notice

Printed in U.S.A.

CDSW

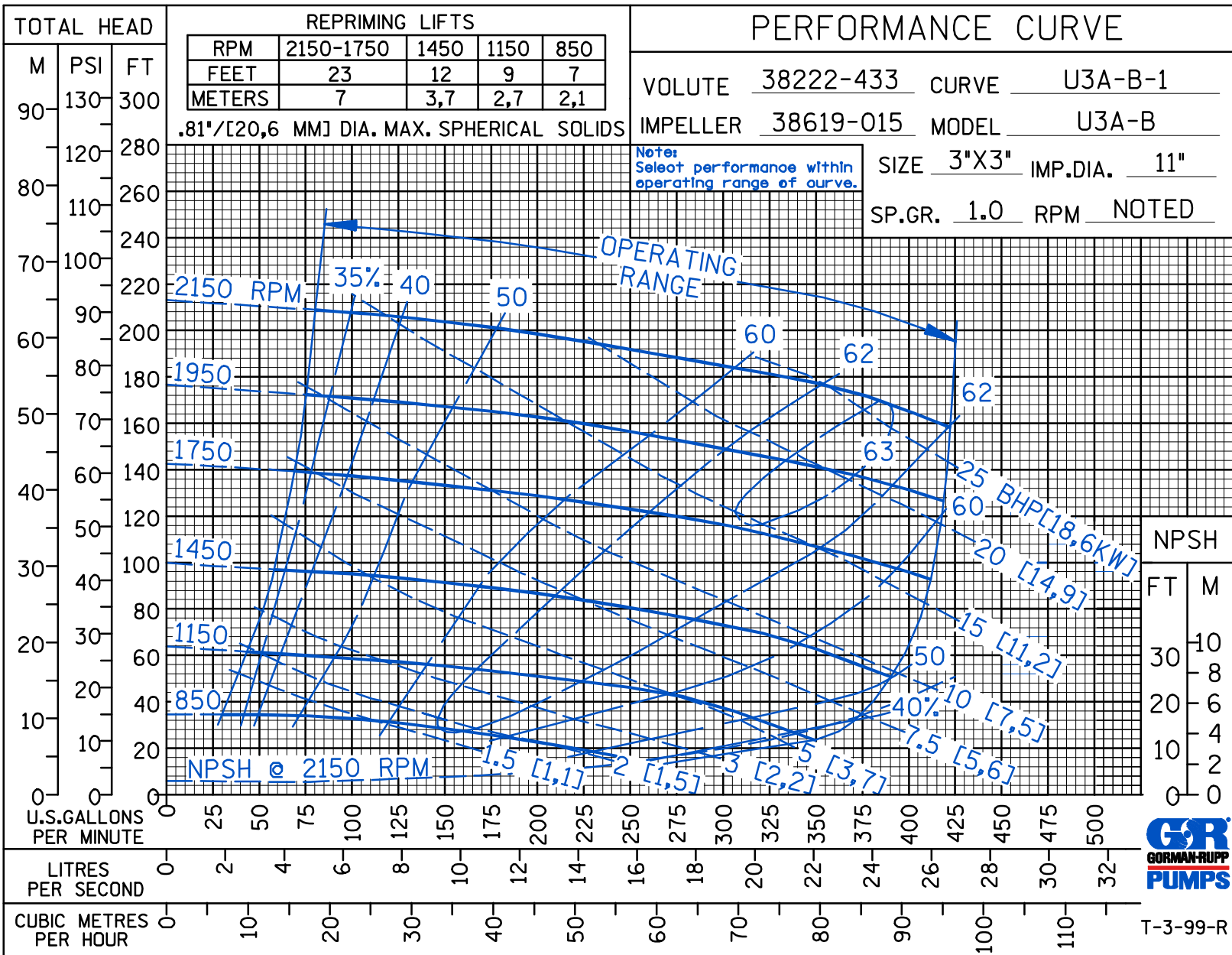
PERFORMANCE CURVE

VOLUTE 38222-433 CURVE U3A-B-1  
 IMPELLER 38619-015 MODEL U3A-B  
 SIZE 3"X3" IMP.DIA. 11"  
 SP.GR. 1.0 RPM NOTED

REPRIMING LIFTS				
RPM	2150-1750	1450	1150	850
FEET	23	12	9	7
METERS	7	3,7	2,7	2,1

.81"/[20,6 MM] DIA. MAX. SPHERICAL SOLIDS

Note:  
Select performance within  
operating range of curve.



T-3-99-R



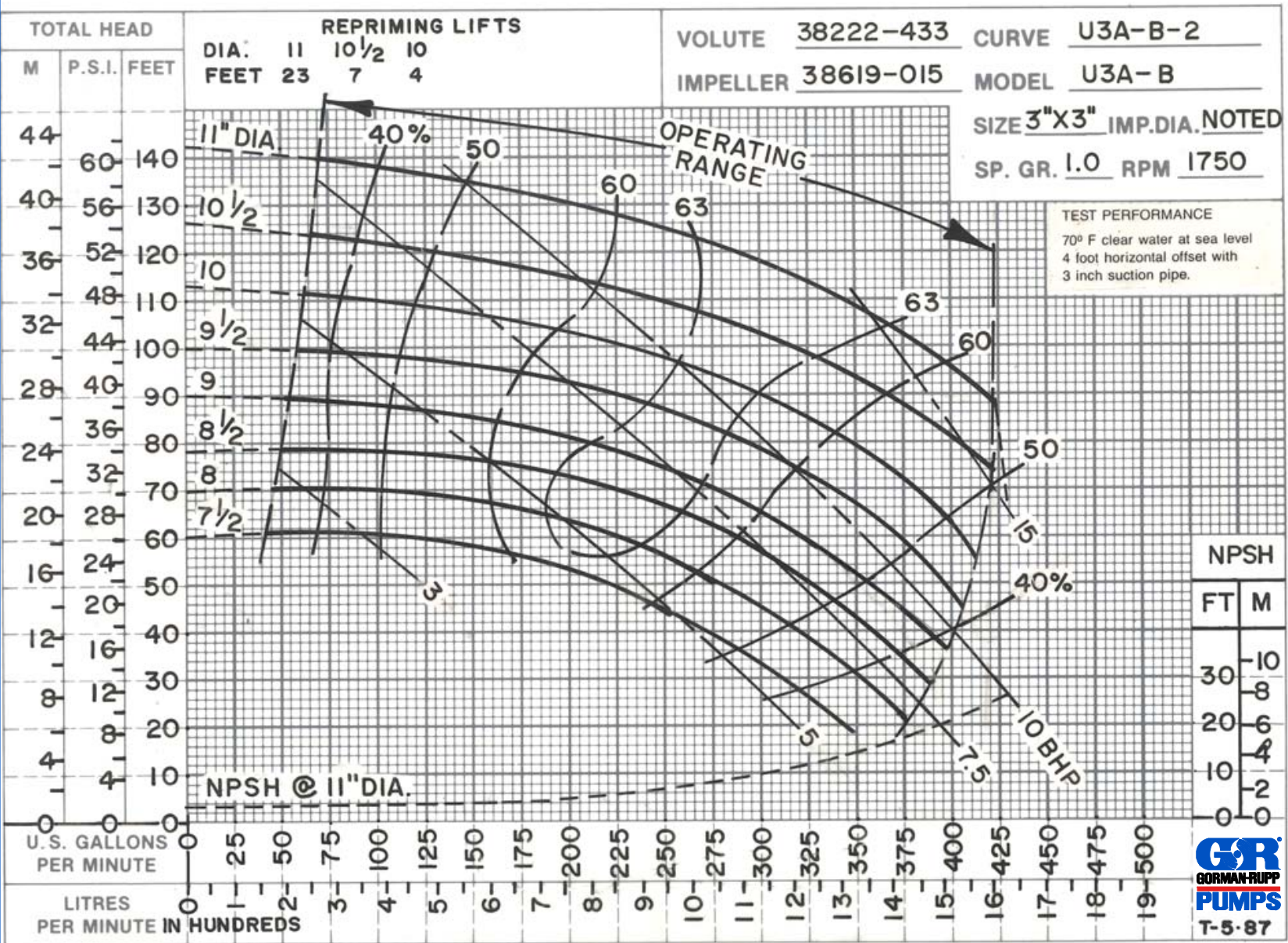
THE GORMAN-RUPP COMPANY • MANSFIELD, OHIO

GORMAN-RUPP OF CANADA LIMITED • ST. THOMAS, ONTARIO, CANADA

www.grpumps.com

Specifications Subject to Change Without Notice

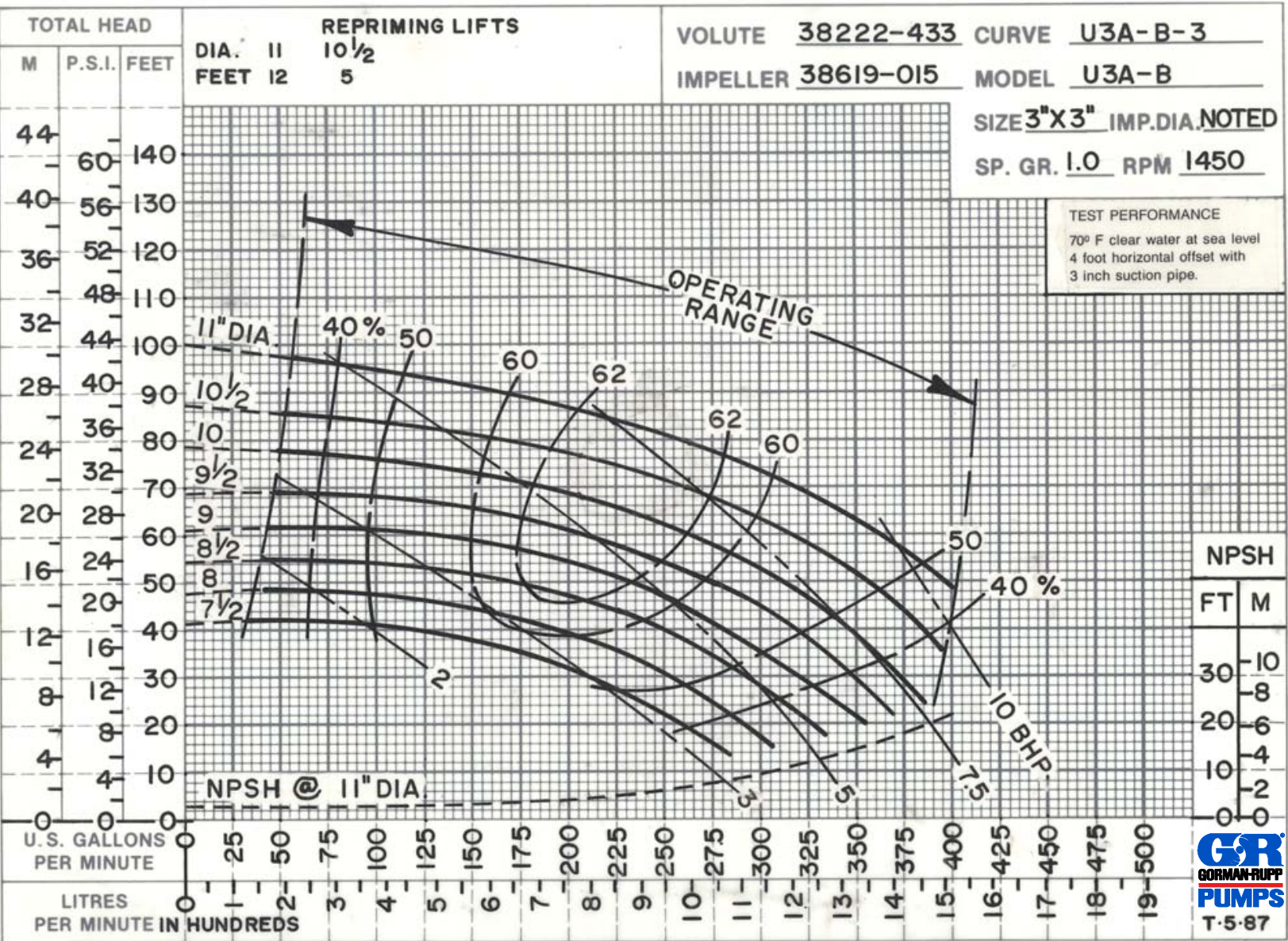
Printed in U.S.A.



THE GORMAN-RUPP COMPANY • MANSFIELD, OHIO  
 GORMAN-RUPP OF CANADA LIMITED • ST. THOMAS, ONTARIO, CANADA

www.grpumps.com  
 Specifications Subject to Change Without Notice

Printed in U.S.A.



THE GORMAN-RUPP COMPANY • MANSFIELD, OHIO

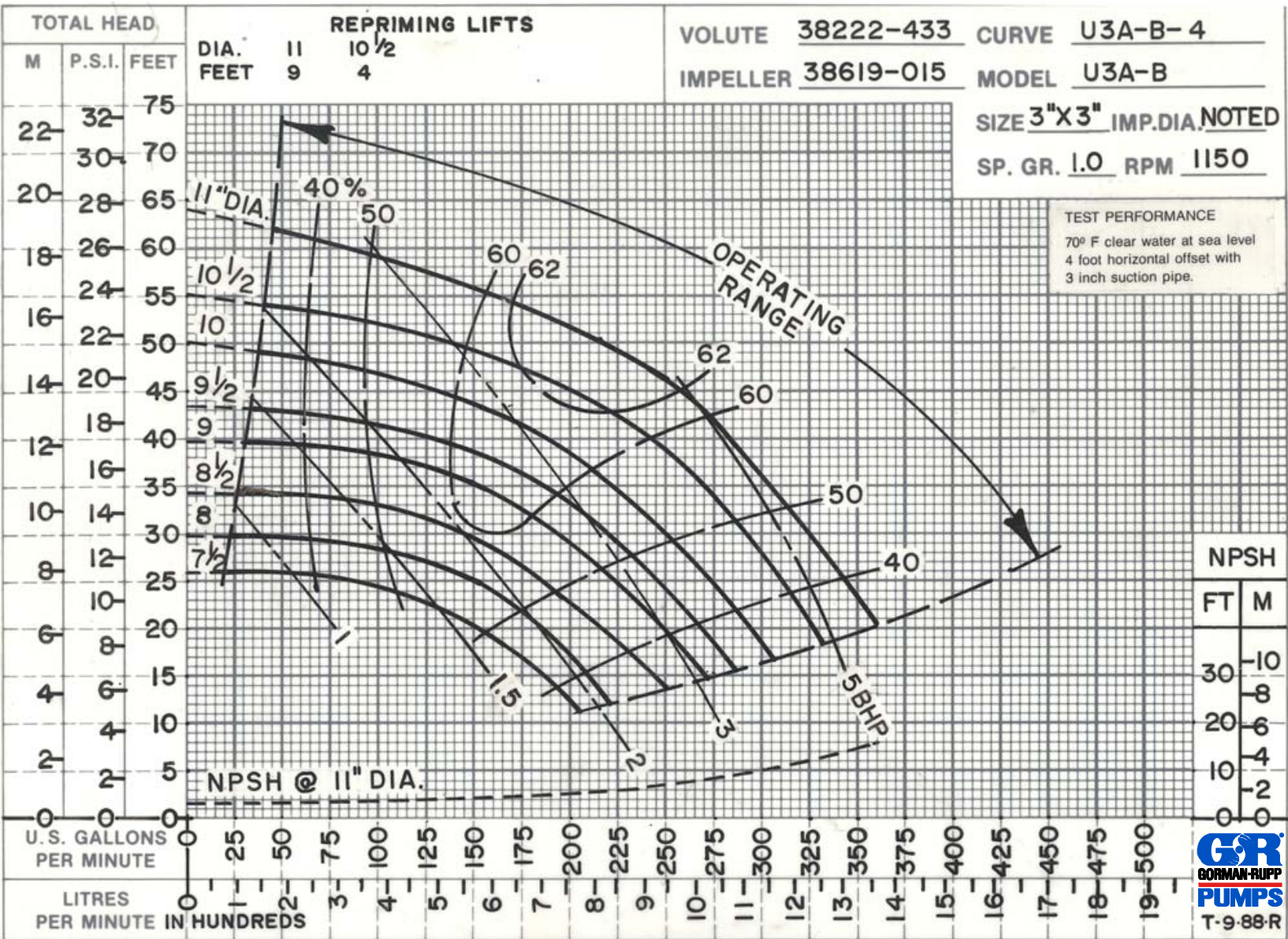
GORMAN-RUPP OF CANADA LIMITED • ST. THOMAS, ONTARIO, CANADA

www.grpumps.com

Specifications Subject to Change Without Notice

Printed in U.S.A.

CDSW



**THE GORMAN-RUPP COMPANY • MANSFIELD, OHIO**  
GORMAN-RUPP OF CANADA LIMITED • ST. THOMAS, ONTARIO, CANADA

www.grpumps.com  
Specifications Subject to Change Without Notice

Printed in U.S.A.