



# Submersible Seawater Pumps **Titanium** TM



## Amazingly versatile

- Pumping seawater out the bilge and pits of vessels;
- Circulating seawater in the fish reserves of restaurants and fishing boats;
- Supplying seawater to fish reserves and fish reserve tank trucks.



● Cleaning the deck of a fishing boat.



● Circulating seawater in the reserve of a crab dealer.



● Supplying seawater to a prawn farm.



**Amenics**

Amenities from Technology  
for People and The Earth

# Titanium plus resin construction revolutionizes seawater pumping operations

## Special Features

Titanium is an ideal marine pump material for its superb corrosion resistivity but has been little used because it's expensive. Tsurumi's Marinemate submersible seawater pumps have resolved the price problem by combining titanium with resin for their strategic components. This has added more virtues: lighter, tougher and stronger to stand corrosion than conventional equivalents.

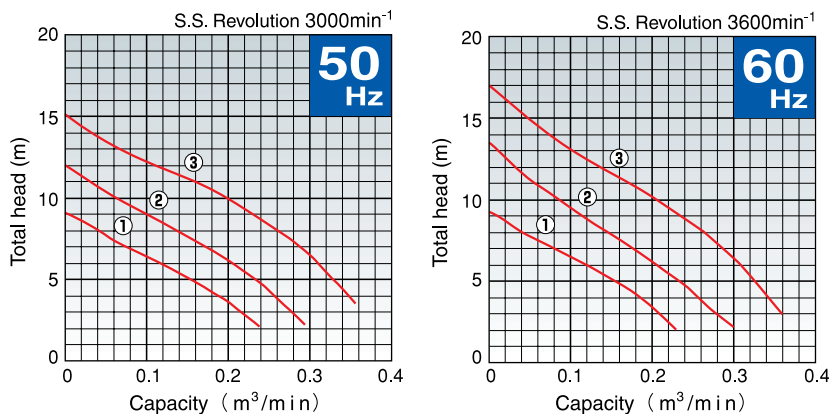
### Titanium in all wet parts

Titanium is used in all the wet metal parts of Marinemate pumps. Titanium has a far stronger oxide film on its surface than stainless steel does. This prevents the pumps from being corroded in the seawater which has a very high chlorine ion concentration.

### Know-how in every part

The Tsurumi's unique know-how and concepts are utilized in every part of the pump such as, anti-wicking cable entry, motor protection device, and dual inside mechanical seal, etc. which have been well proven in the reliability and durability.

## Performance curves

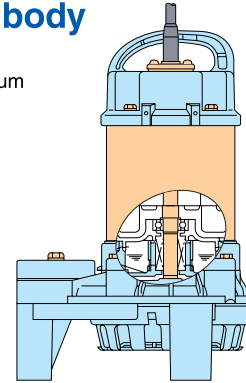


## Specifications

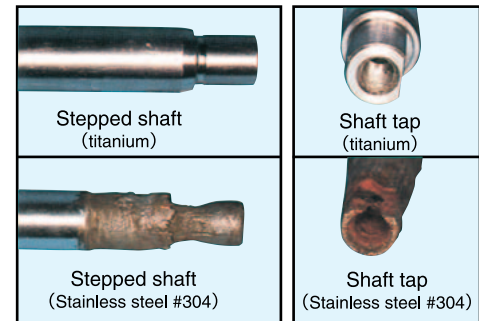
Curve No.	Discharge bore mm	Standard Model	Automatic Model	Motor Output kW	Phase	Revolution 50 Hz/60 Hz min <sup>-1</sup>	Starting method	Impeller passage mm	Dimension L x H mm		Dry weight kg		Standard Cable Length m
									Standard Model	Automatic Model	Standard Model	Automatic Model	
1	40	40TM2.25S	40TMA2.25S	0.25	Single	3000/3600	Capacitor Run	10	236 × 360	236 × 374	6.7	7.2	5
1	40	40TM2.25	40TMA2.25	0.25	Three	3000/3600	D.O.L.	10	236 × 349	236 × 363	5.7	6.2	6
2	50	50TM2.4S	50TMA2.4S	0.4	Single	3000/3600	Capacitor Run	10	236 × 360	236 × 374	6.7	7.2	5
2	50	50TM2.4	50TMA2.4	0.4	Three	3000/3600	D.O.L.	10	236 × 360	236 × 374	6.6	7.1	6
3	50	50TM2.75	50TMA2.75	0.75	Three	3000/3600	D.O.L.	10	236 × 374	236 × 388	7.8	8.4	6

## Construction materials of pump body

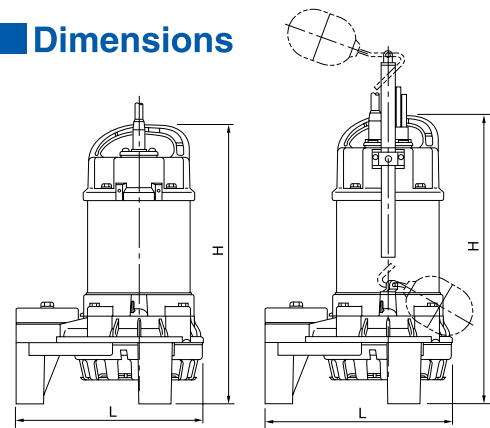
■ Titanium  
■ Resin



## Corrosion tests of titanium and stainless steel (6 months)



## Dimensions



We reserve the right to change the specifications and designs for improvement without prior notice.

**TSURUMI**  
MANUFACTURING CO.,LTD.

Your Dealer