

A C D E U



# Environmental Silent Pump Self Priming Centrifugal Pump

Diesel Engine Driven  
**Model T6A60S-4045T-ESP**  
Size 6" x 6"



70 MT

Total Head		Capacity of Pump in U.S. Gallons per Minute (GPM) at Continuous Performance			
P.S.I.	Feet				
56.4	130	560	560	560	560
52.0	120	730	760	760	760
43.3	100	750	1050	1170	1170
34.7	80	760	1060	1290	1460
26.0	60	770	1070	1300	1500
17.3	40	780	1080	1310	1510
<b>Suction Lift</b>		<b>25'</b>	<b>20'</b>	<b>15'</b>	<b>10'</b>



SHOWN WITH OPTIONAL HIGHWAY TRAILER

**PUMP SPECIFICATIONS**

**Size:** 6" x 6" (152 mm x 152 mm) NPT Male.  
**Casing:** Gray Iron 30. Maximum Operating Pressure 98 psi (675 kPa). \*  
**Semi-Open Type, Two Vane Impeller:** Ductile Iron 65-45-12.  
 Handles 3" (76.2 mm) Diameter Spherical Solids.  
**Impeller Shaft:** Stainless Steel 17-4 PH.  
**Replaceable Wear Plate:** Carbon Steel ASTM A36.  
**Removable Adjustable Cover Plate:** Gray Iron 30; 50 lbs. (23 kg).  
**Flap Valve:** Neoprene w/Steel Reinforcing.  
**Seal Plate:** Gray Iron 30.  
**Shaft Sleeve:** Alloy Steel 4130.  
**Seal:** Cartridge Type, Mechanical, Oil-Lubricated, Double Floating, Self-Aligning. Silicon Carbide Rotating and Stationary Faces. Stainless Steel 316 Stationary Seat. Fluorocarbon Elastomers (DuPont Viton® or Equivalent). Stainless Steel 18-8 Cage and Spring. Maximum Temperature of Liquid Pumped 160°F (71°C). \*  
**Bearing Housing:** Gray Iron 30.  
**Radial Bearing:** Open Single Ball.  
**Thrust Bearing:** Open Double Ball.  
**Bearing and Seal Cavity Lubrication:** SAE 30 Non-Detergent Oil.  
**Flanges:** Gray Iron 30.  
**Gaskets:** Buna-N, Compressed Synthetic Fibers, PTFE, Vegetable Fiber, Cork, and Rubber.  
**O-Rings:** Buna-N.  
**Hardware:** Standard Plated Steel.  
**Brass Pressure Relief Valve.**  
**Bearing and Seal Cavity Oil Level Sight Gauges.**  
 \*Consult Factory for Applications Exceeding Maximum Pressure and/or Temperature Indicated.  
**Standard Equipment:** Soundproof (EPA Average 67 dBA at 23 feet [7 meters] Under Load). Lightweight Aluminum Enclosure - Removable for Maintenance of Pump or Engine - w/Padlockable Door Panels. Spill Containment Base w/Integral Drains and Fork Lift Pockets. Automatic Air Release Valve with Check Valve. 90° Discharge Elbow. Strainer. Single Level Actuated (Microswitch) Type Liquid Level Control System. \*\*  
**Optional Equipment:** Battery. Suction Vacuum and Discharge Pressure Gauge Kit. G-R Hard Iron Impeller, Seal Plate and Wear Plate. Over-the-Road Trailer (Meets DOT Requirements) Available w/Either Electric or Hydraulic Surge Brakes, Running Lights, Jack Stands and Safety Cables. EPS w/Submersible Transducer Liquid Level Sensor (50 Ft. [15M] Cable Standard, Alternate Lengths Available).  
 \*\*50 Ft. (15 m) Standard Length; Dual Switches and Alternate Cable Lengths Available From the Factory.

**WARNING!**

Do not use in explosive atmosphere or for pumping volatile flammable liquids.

**ENGINE SPECIFICATIONS**

**Model:** John Deere 4045T.  
**Type:** Four Cylinder, Four Cycle, Turbocharged, Liquid Cooled Diesel Engine.  
**Displacement:** 275 Cu. In. (4,5 liters).  
**Governor:** Mechanical.  
**Lubrication:** Forced Circulation.  
**Air Cleaner:** Dry Type.  
**Oil Reservoir:** 17.5 U.S. Qts. (16,6 liters) Dry; 15.5 U.S. Qts. (14,7 liters) Refill.  
**Fuel Tank:** 88 U.S. Gals. (330 liters).  
**Full Load Operating Time:** 30.1 Hrs.  
**Starter:** 12V Electric.  
**Standard Features:** Low Oil Pressure and High Coolant Temperature Safety Shut Down Switches/Indicators. Autostart Instrument Panel Includes: Tachometer, Voltmeter, Hourmeter, Coolant Temperature Gauge, Oil Pressure Gauge, Manual/Stop/Auto Key Switch, 10 Amp Pushbutton Circuit Breaker, Audible Startup Warning Delay. Muffler w/Guard and Weather Cap. Throttle Control.

**JOHN DEERE PUBLISHED PERFORMANCE:**  
 Maximum Gross Intermittent BHP (Industrial)  
 74 (55 kW) @ 2400 RPM



THE GORMAN-RUPP COMPANY • MANSFIELD, OHIO

GORMAN-RUPP OF CANADA LIMITED • ST. THOMAS, ONTARIO, CANADA

www.grpumps.com

Specifications Subject to Change Without Notice

Printed in U.S.A.

# Specification Data

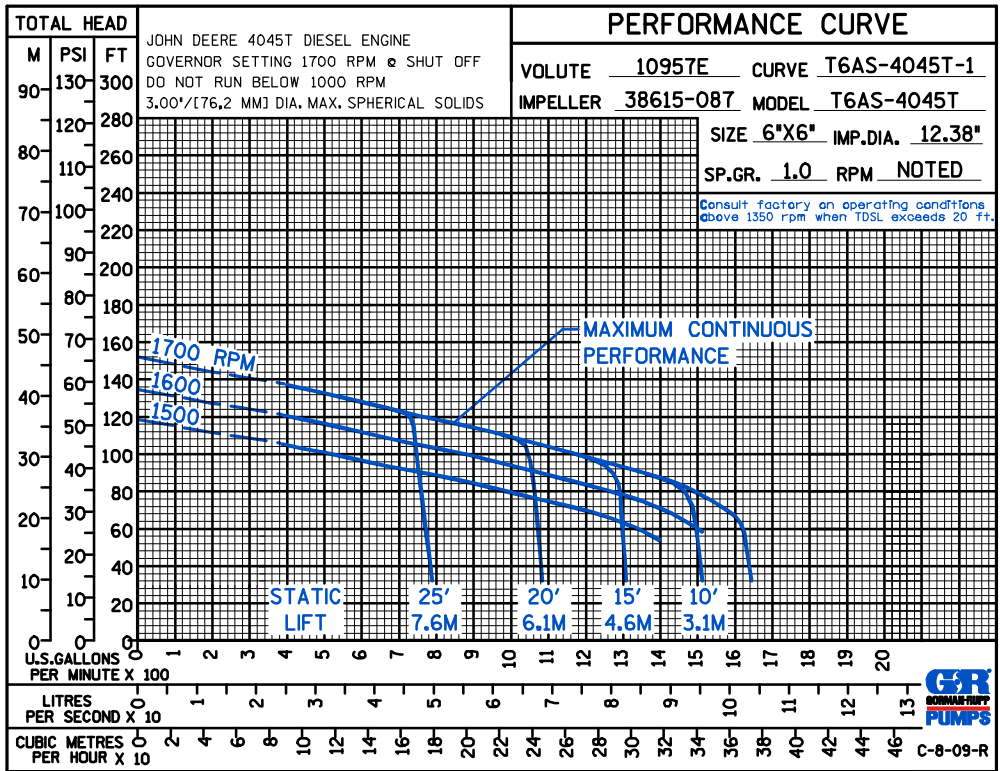
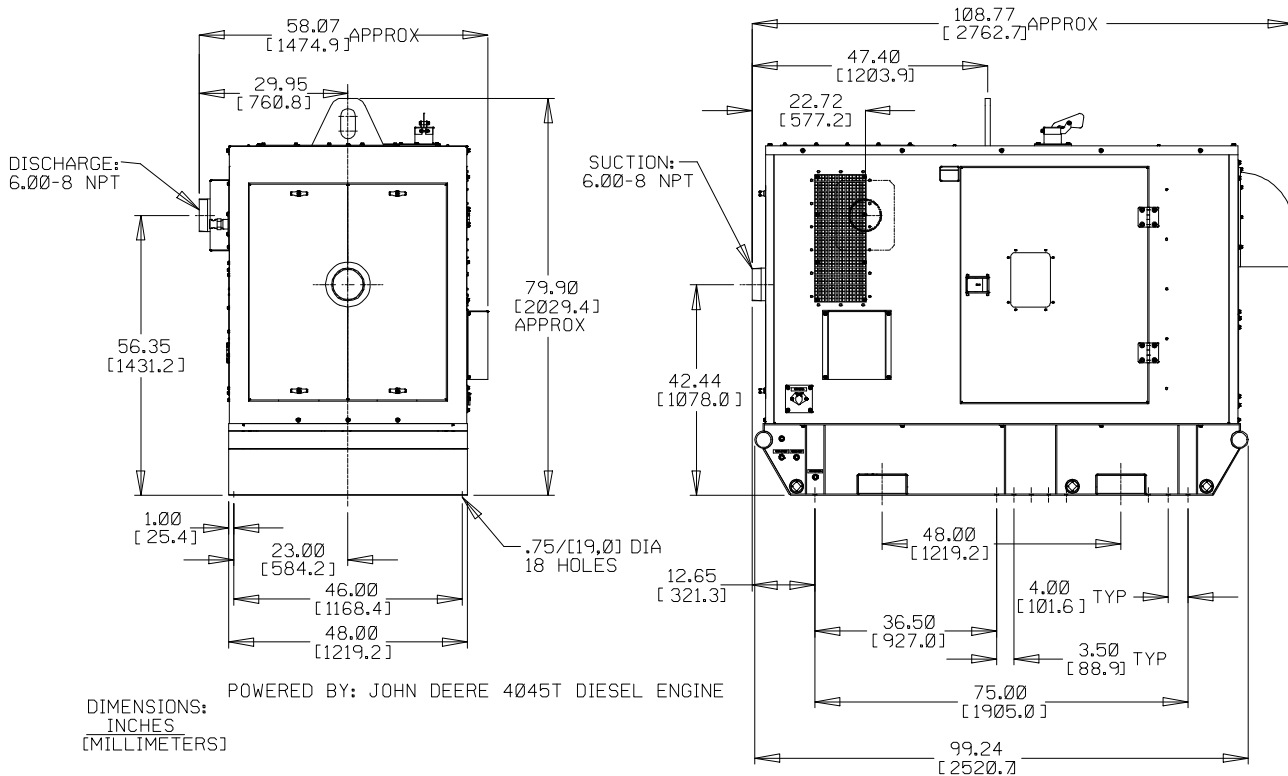
SECTION 45, PAGE 1566

APPROXIMATE DIMENSIONS and WEIGHTS

NET WEIGHT:  
SHIPPING WEIGHT:  
EXPORT CRATE SIZE:

**SKID BASE**  
4470 LBS. (2028 KG.)  
4700 LBS. (2132 KG.)  
397 CU. FT. (11.2 CU. M.)

**HIGHWAY TRAILER**  
6145 LBS. (2787 KG.)  
6145 LBS. (2787 KG.)  
1020 CU. FT. (28,9 CU. M.)



THE GORMAN-RUPP COMPANY • MANSFIELD, OHIO

GORMAN-RUPP OF CANADA LIMITED • ST. THOMAS, ONTARIO, CANADA

Specifications Subject to Change Without Notice

Printed in U.S.A.