



*Submersible*  
*Explosion-proof Pumps*  
**KTX**



**Amenics**  
Tsurumi presents  
Amenity Technics for the earth

# A submersible water pump suitable for use in a potentially explosive atmosphere

## Features

### 1. Anti-wicking Cable Entry

The cable entry has an anti-wicking block. It prevents ingress of water that may occur when the cable is damaged or the end of the cable is accidentally submerged.

### 2. Automatic Motor Protection

Every KTX pump is equipped with a CTP, circle thermal protector. It directly cuts the motor circuitry in case of an excessive heat buildup in the motor or an over current caused by an electrical or mechanical failure.

### 3. Dual Inside Mechanical Seal

Tsurumi incorporates the dual inside mechanical seal (dual face mechanical seal located in an oil bath) in all pumps. As both top and bottom sealing faces are lubricated by the oil only, it ensures a long and a stable sealing effect.

### 4. OIL LIFTER

The OIL LIFTER is a lubricating device that forcibly lubricates the mechanical seal. It further stabilizes the functions of the mechanical seal and extends the life expectancy of the seal and also the maintenance term.

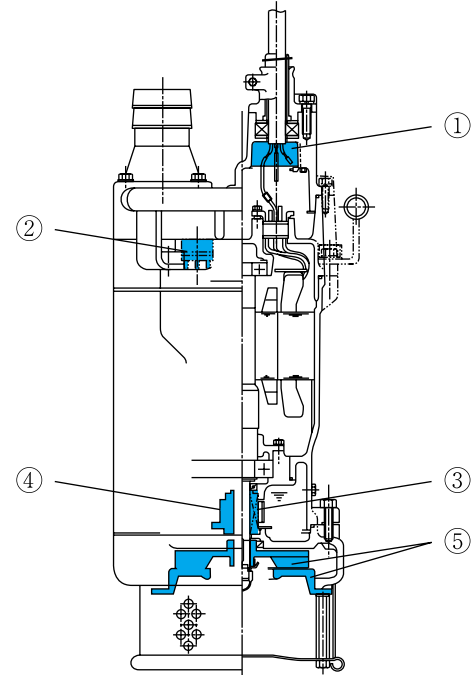
### 5. Easily Replaceable Wear Parts

The impeller is semi-open type. Combinational use of the semi-open impeller and a suction cover makes the replacement of these parts easier.

## Application

The pump is suitable for dewatering in places where inflammable gases or vapor are or may be present.

It is designed and constructed to conform Class 2 Group 4 or II T4.



## Specifications

Curve No.	Discharge Bore (mm)	Model Code	Motor Output (kW)	Phase	Revolution 50Hz/60Hz (min <sup>-1</sup> )	Starting Method	Impeller Passage (mm)	Dry Weight (kg)	Cable Cable	
									Cores x Area (mm)	Length (m)
1	50	50KTX2.4S	0.4	Single	3000/3600	Capacitor	6	30	3 x 2.0	5
2	50	50KTX21.5	1.5	Three	3000/3600	D.O.L.	8.5	55	4 x 2.0	10
3	80	80KTX23.7	3.7	Three	3000/3600	D.O.L.	8.5	70	4 x 3.5	10
4	100	100KTX27.5	7.5	Three	3000/3600	D.O.L.	8.5	176	4 x 5.5	10
5	100	100KTX211	11	Three	3000/3600	D.O.L.	8.5	184	4 x 8.0	10

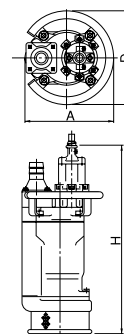
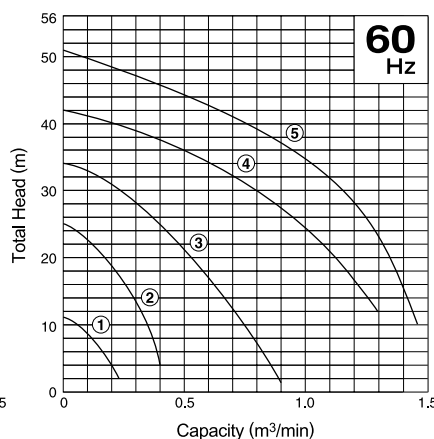
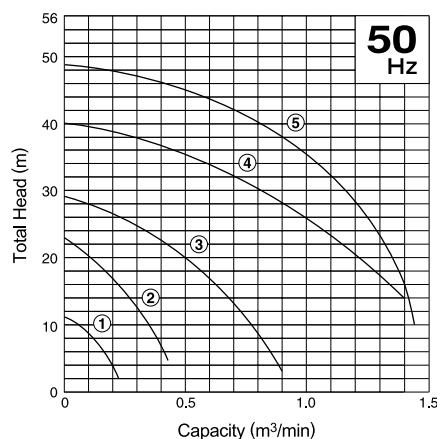
Notes: The pumps are available in the following voltages:

Model 50KTX2.4S .....110, 220, 230, or 240 volts, 50 or 60 cycles

Three phase models ...220, 380, 400, 415, 440, or 525 volts, 50 or 60 cycles

## Dimensions

## Performance Curves



unit : mm

Model	A	D	H
50KTX2.4S	265	265	598
50KTX21.5	300	300	652
80KTX23.7	316	300	738
100KTX27.5	432	400	970
100KTX211	432	400	970

We reserve the right to change the specifications and designs for improvement without prior notice.

**TSURUMI**  
MANUFACTURING CO.,LTD.

Your Dealer