



Basic Pedestal Self Priming Centrifugal Pump Models 16C2-B and 16C20-B Size 6" x 6"

PUMP SPECIFICATIONS

Size: 6" x 6" (152 mm x 152 mm) NPT - Female.

Casing: Gray Iron No. 30.

Maximum Operating Pressure 81 psi (558 kPa).*

Semi-Open, Two Vane Impeller: Ductile Iron No. 65-45-12.
Handles 3" (76,2 mm) Diameter Spherical Solids.

Impeller Shaft: Alloy Steel No. 4150.

Replaceable Wear Plate: Carbon Steel No. 1015.

Removable Cover Plate: Gray Iron No. 30; 36 lbs. (16 kg).

Pedestal: Gray Iron No. 30.

Seal Plate: Gray Iron No. 30.

Flap Valve: Neoprene ^{w/}Reinforcing Steel.

Seal Liner: (16C2-B) Copper Alloy No. C93700.

Shaft Sleeve: (16C20-B) Alloy Steel No. 4130.

Radial Bearing: Open Single Row Ball.

Thrust Bearing: Open Double Row Ball.

Bearing Lubrication: SAE No. 30 Non-Detergent Oil.

Flanges: Gray Iron No. 30.

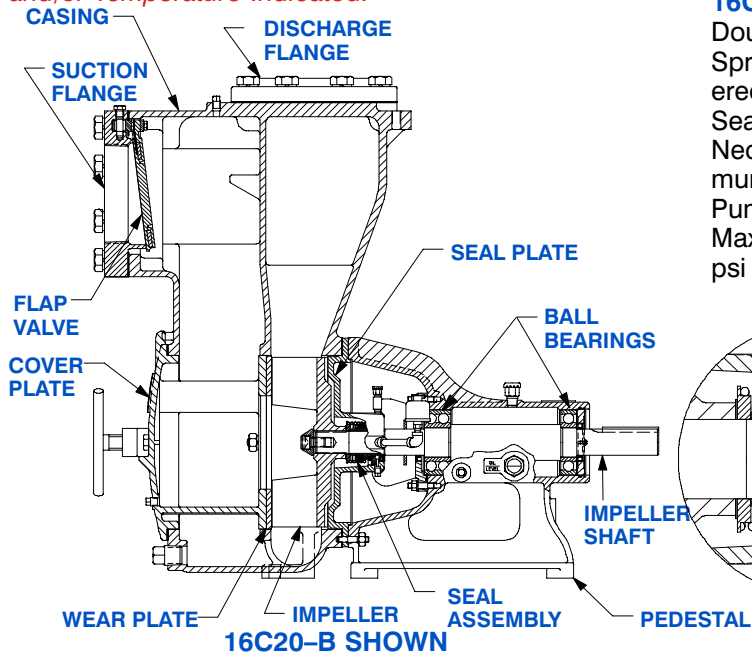
Gaskets: Resistant Synthetic Rubber, Cork, Compressed Synthetic Fibers, Vegetable Fiber, and PTFE.

Hardware: Standard Plated Steel.

Strainer.

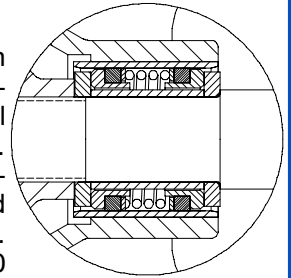
Optional Equipment: Gray Iron No. 30 Suction and Discharge Spool Flanges. 120/240 Volt Casing Heater. High Temp Shut Down Kit.

**Consult Factory for Applications Exceeding Maximum Pressure and/or Temperature Indicated.*



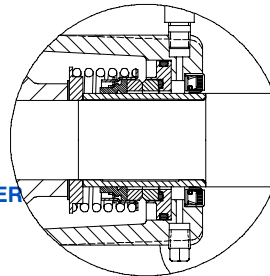
16C2-B SEAL DETAIL

Double, Grease-Lubricated with Spring Loaded Grease Cup. Sintered Bronze Stationary Seal Seats. Steel Rotating Faces. Neoprene Packing Rings. Maximum Temperature of Liquid Pumped, 110°F (43°C). Maximum Suction Pressure 10 psi (0,69 kPa)*.



16C20-B SEAL DETAIL

Mechanical, Oil-Lubricated, Double Floating, Self-Aligning. Tungsten Titanium Carbide Rotating and Stationary Faces. Stainless Steel No. 316 Stationary Seat. Fluorocarbon Elastomers (DuPont Viton® or Equivalent). Stainless Steel No. 18-8 Cage and Spring. Maximum Temperature of Liquid Pumped, 160°F (71°C)*.



THE GORMAN-RUPP COMPANY • MANSFIELD, OHIO

GORMAN-RUPP OF CANADA LIMITED • ST. THOMAS, ONTARIO, CANADA

www.grpumps.com

Specifications Subject to Change Without Notice

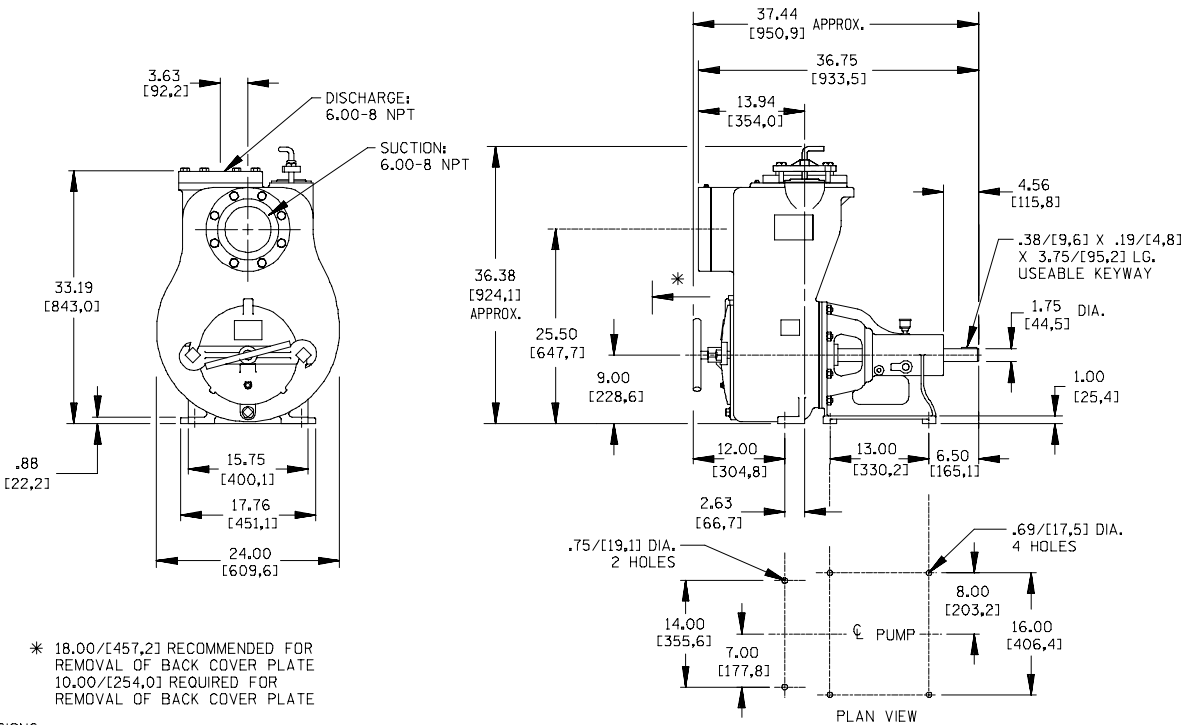
Printed in U.S.A.

Specification Data

APPROXIMATE
DIMENSIONS and WEIGHTS

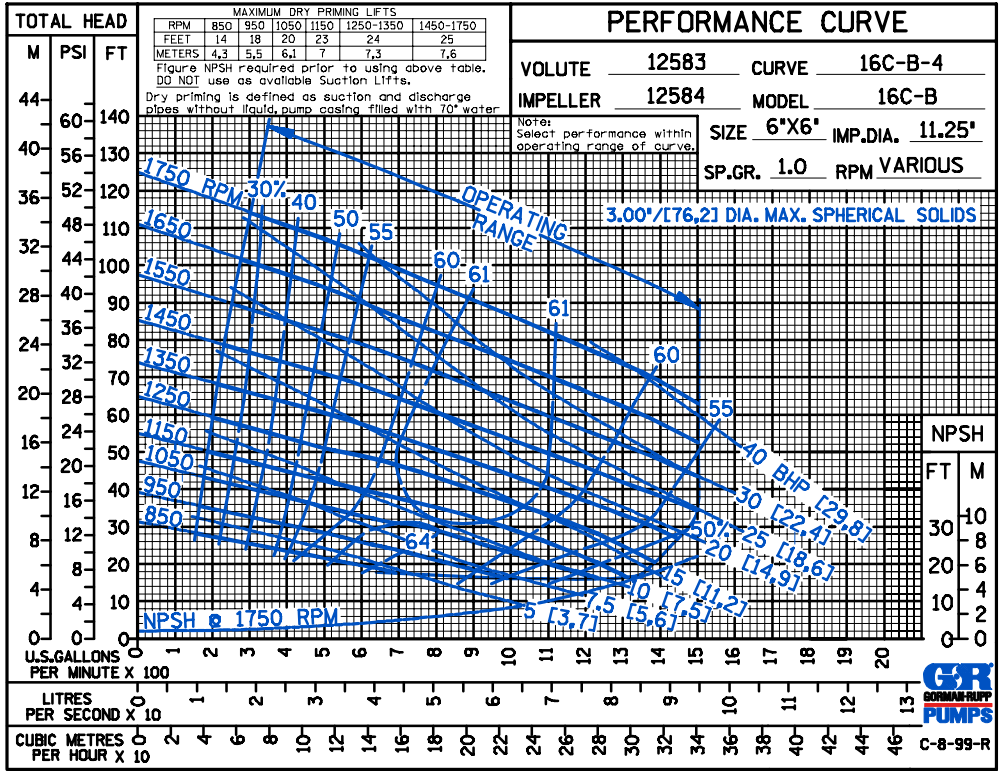
NET WEIGHT: 780 LBS. (354 KG.)
SHIPPING WEIGHT: 838 LBS. (380 KG.)
EXPORT CRATE SIZE: 35.7 CU. FT. (1,01 CU. M.)

SECTION 55, PAGE 900



* 18.00/[457,2] RECOMMENDED FOR REMOVAL OF BACK COVER PLATE
10.00/[254,0] REQUIRED FOR REMOVAL OF BACK COVER PLATE

DIMENSIONS:
INCHES
[MILLIMETERS]



THE GORMAN-RUPP COMPANY • MANSFIELD, OHIO

GORMAN-RUPP OF CANADA LIMITED • ST. THOMAS, ONTARIO, CANADA

Specifications Subject to Change Without Notice

Printed in U.S.A.