



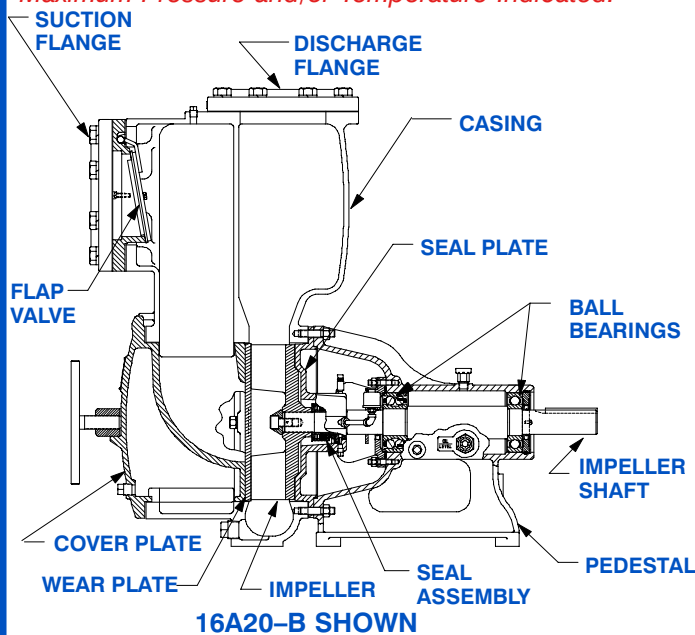
Basic Pedestal Self Priming Centrifugal Pump Models 16A2-B and 16A20-B Size 6" x 6"

PUMP SPECIFICATIONS

- Size:** 6" x 6" (152 mm x 152 mm) NPT - Female.
- Casing:** Gray Iron No. 30.
Maximum Operating Pressure 81 psi (558 kPa).*
- Semi-Open, Two Vane Impeller:** Ductile Iron No. 60-40-18.
Handles 2 1/2" (63,5 mm) Diameter Spherical Solids.
- Impeller Shaft:** Alloy Steel No. 4150.
- Replaceable Wear Plate:** Carbon Steel No.1015.
- Removable Cover Plate:** Gray Iron No. 30; 60 lbs. (27 kg).
- Pedestal:** Gray Iron No. 30.
- Seal Plate:** Gray Iron No. 30.
- Flap Valve:** Buna-N ^w/Nylon Reinforcement and Steel.
- Seal Liner: (16A2-B)** Copper Alloy No. C93700.
- Shaft Sleeve: (16A20-B)** Alloy Steel No. 4130.
- Radial Bearing:** Open Single Row Ball.
- Thrust Bearing:** Open Double Row Ball.
- Bearing Lubrication:** SAE No. 30 Non-Detergent Oil.
- Flanges:** Gray Iron No. 30.
- Gaskets:** Vegetable Fiber and PTFE.
- Hardware:** Standard Plated Steel.
- Strainer.**
- Optional Equipment:** Gray Iron No. 30 Suction and Discharge Spool Flanges. 120 / 240 Volt Casing Heater. High Temp Shut Down Kit.

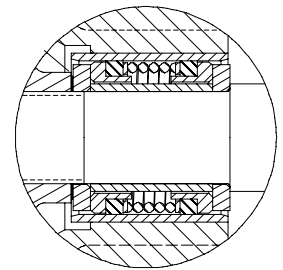


**Consult Factory for Applications Exceeding Maximum Pressure and/or Temperature Indicated.*



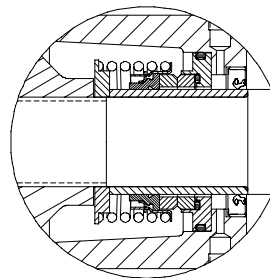
16A2-B SEAL DETAIL

Double, Grease-Lubricated with Spring Loaded Grease Cup. Sintered Bronze Stationary Seal Seats. Steel Rotating Faces. Neoprene Packing Rings. Maximum Temperature of Liquid Pumped, 110°F (43°C). Maximum Suction Pressure 10 psi (0,69 kPa)*.



16A20-B SEAL DETAIL

Type 2, Mechanical, Oil-Lubricated, Double Floating, Self-Aligning. Tungsten Titanium Rotating and Stationary Faces Carbide. Stainless Steel No. 316 Stationary Seat. Stainless Steel No. 18-8 Cage and Spring. Fluorocarbon Elastomers (DuPont Viton® or Equivalent). Maximum Temperature of Liquid Pumped, 160°F (71°C)*.



THE GORMAN-RUPP COMPANY • MANSFIELD, OHIO

GORMAN-RUPP OF CANADA LIMITED • ST. THOMAS, ONTARIO, CANADA

www.grpumps.com

Specifications Subject to Change Without Notice

Printed in U.S.A.

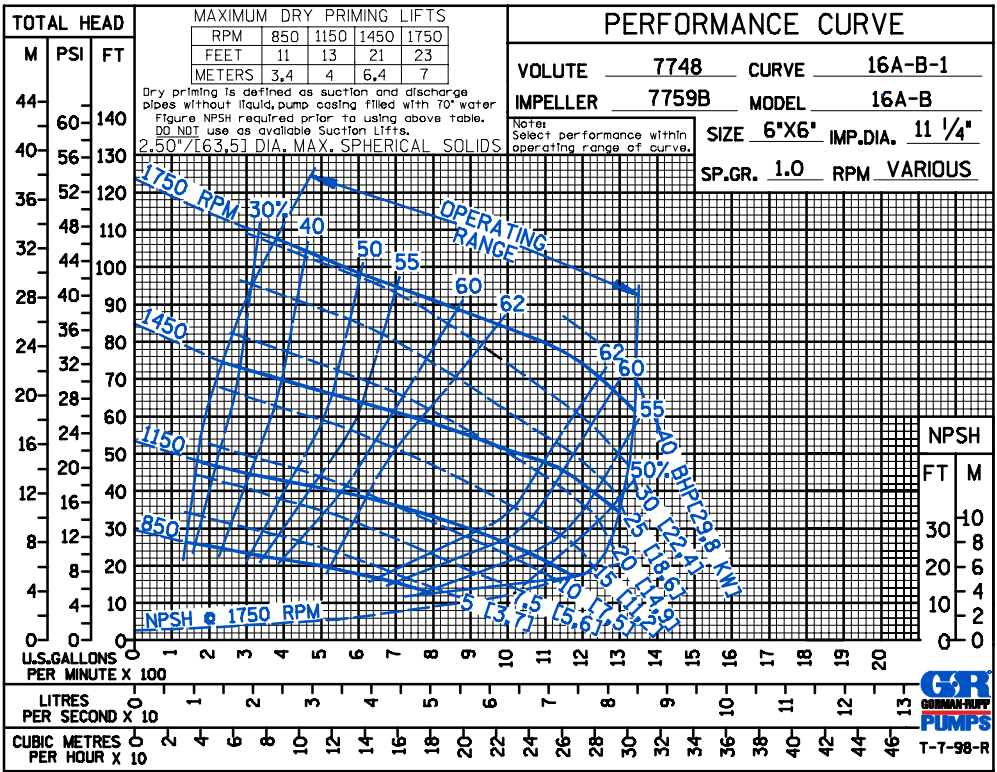
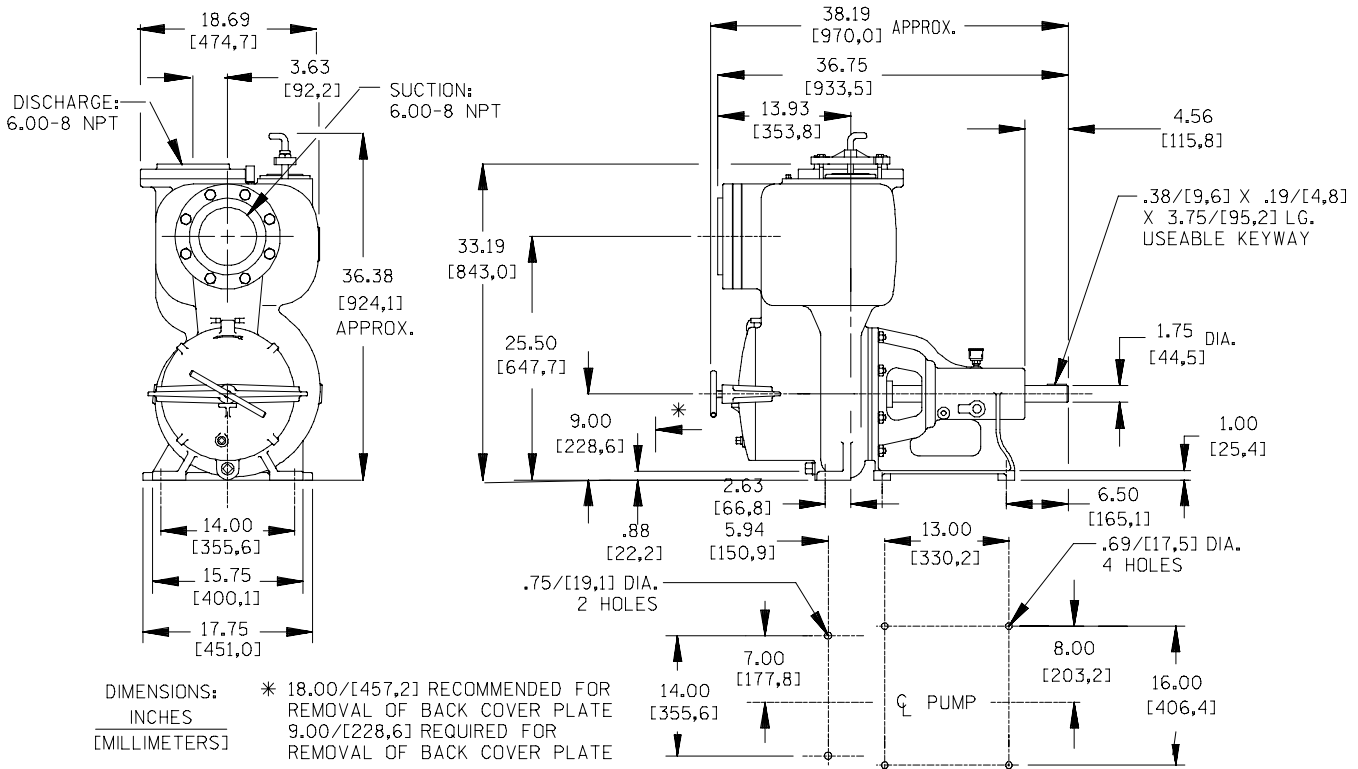
Specification Data

SECTION 55, PAGE 800

APPROXIMATE
DIMENSIONS and WEIGHTS

NET WEIGHT:
SHIPPING WEIGHT:
EXPORT CRATE SIZE:

650 LBS. (295 KG.)
754 LBS. (342 KG.)
31.1 CU. FT. (0,88 CU. M.)



THE GORMAN-RUPP COMPANY • MANSFIELD, OHIO

GORMAN-RUPP OF CANADA LIMITED • ST. THOMAS, ONTARIO, CANADA

Specifications Subject to Change Without Notice

Printed in U.S.A.

ACDE

PERFORMANCE CURVE

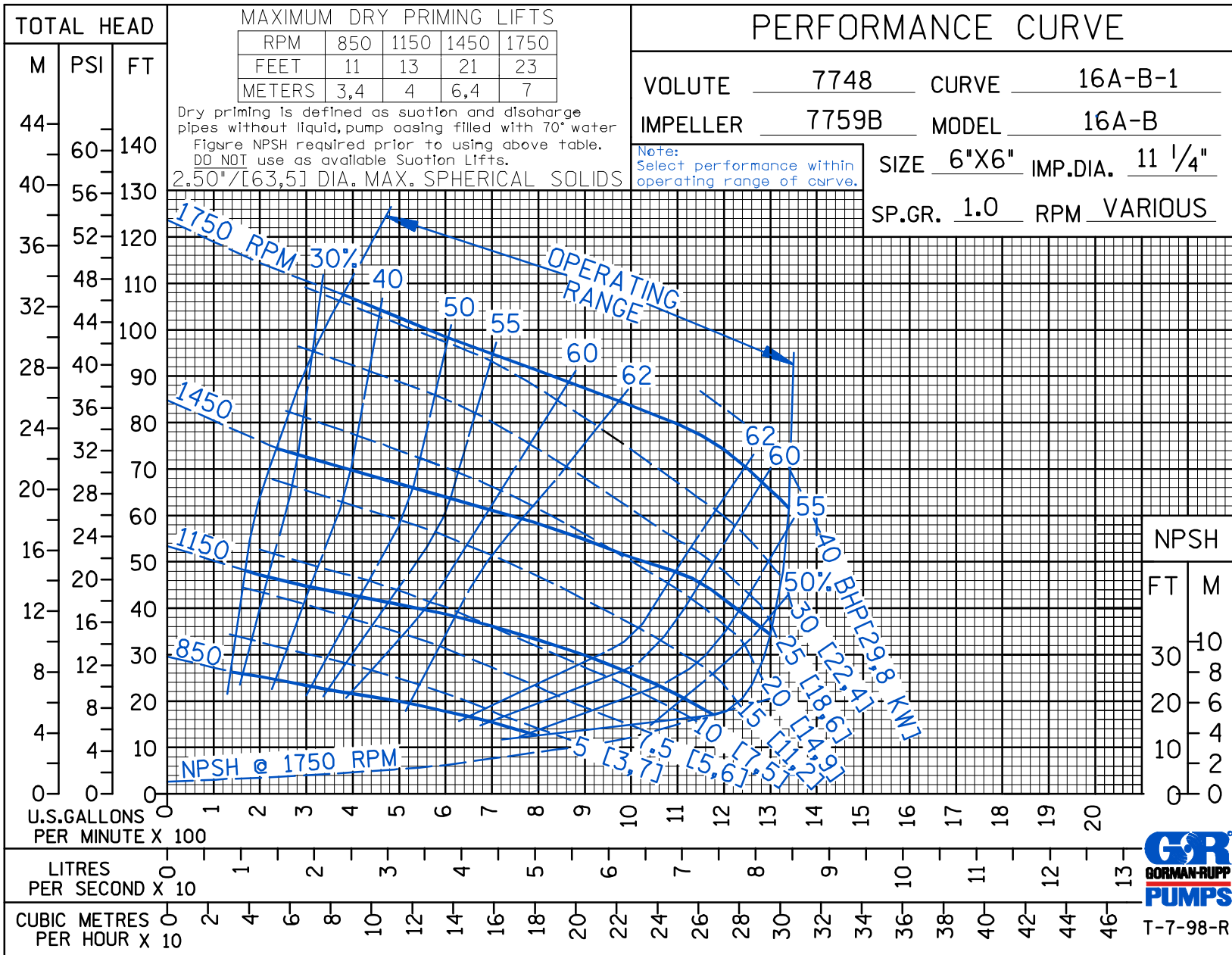
VOLUTE 7748 CURVE 16A-B-1
 IMPELLER 7759B MODEL 16A-B
 SIZE 6"X6" IMP.DIA. 11 1/4"
 SP.GR. 1.0 RPM VARIOUS

MAXIMUM DRY PRIMING LIFTS

RPM	850	1150	1450	1750
FEET	11	13	21	23
METERS	3,4	4	6,4	7

Dry priming is defined as suction and discharge pipes without liquid, pump casing filled with 70° water. Figure NPSH required prior to using above table. DO NOT use as available Suction Lifts. 2.50" [63,5] DIA. MAX. SPHERICAL SOLIDS

Note:
Select performance within operating range of curve.



NPSH
 FT M
 0 10 20 30 40 50 60 70 80 90 100 110 120 130 140



T-7-98-R



THE GORMAN-RUPP COMPANY • MANSFIELD, OHIO

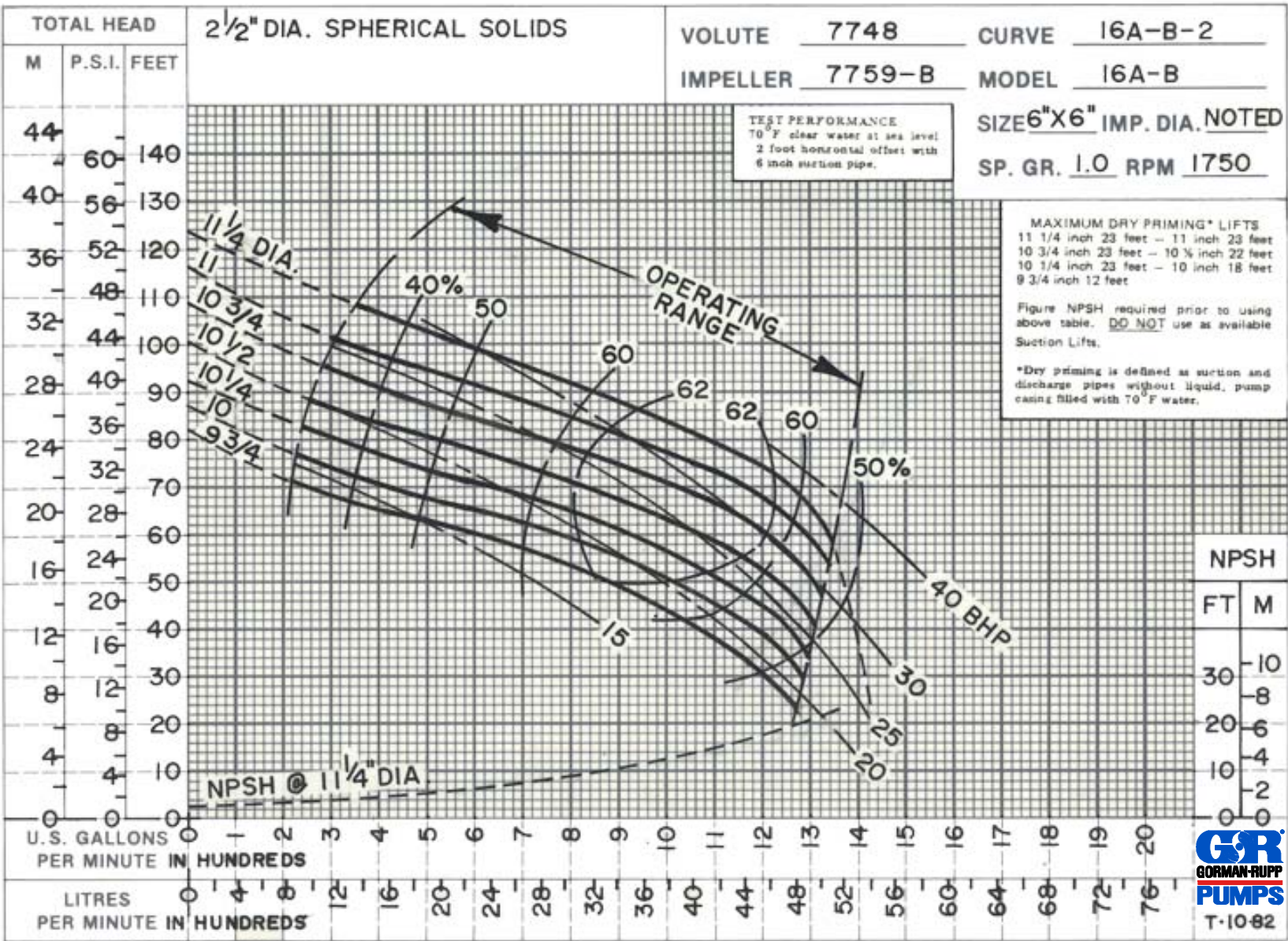
GORMAN-RUPP OF CANADA LIMITED • ST. THOMAS, ONTARIO, CANADA

www.grpumps.com

Specifications Subject to Change Without Notice

Printed in U.S.A.

A C D E



THE GORMAN-RUPP COMPANY • MANSFIELD, OHIO

GORMAN-RUPP OF CANADA LIMITED • ST. THOMAS, ONTARIO, CANADA

www.grpumps.com

Specifications Subject to Change Without Notice

Printed in U.S.A.

ACDE

PERFORMANCE CURVE

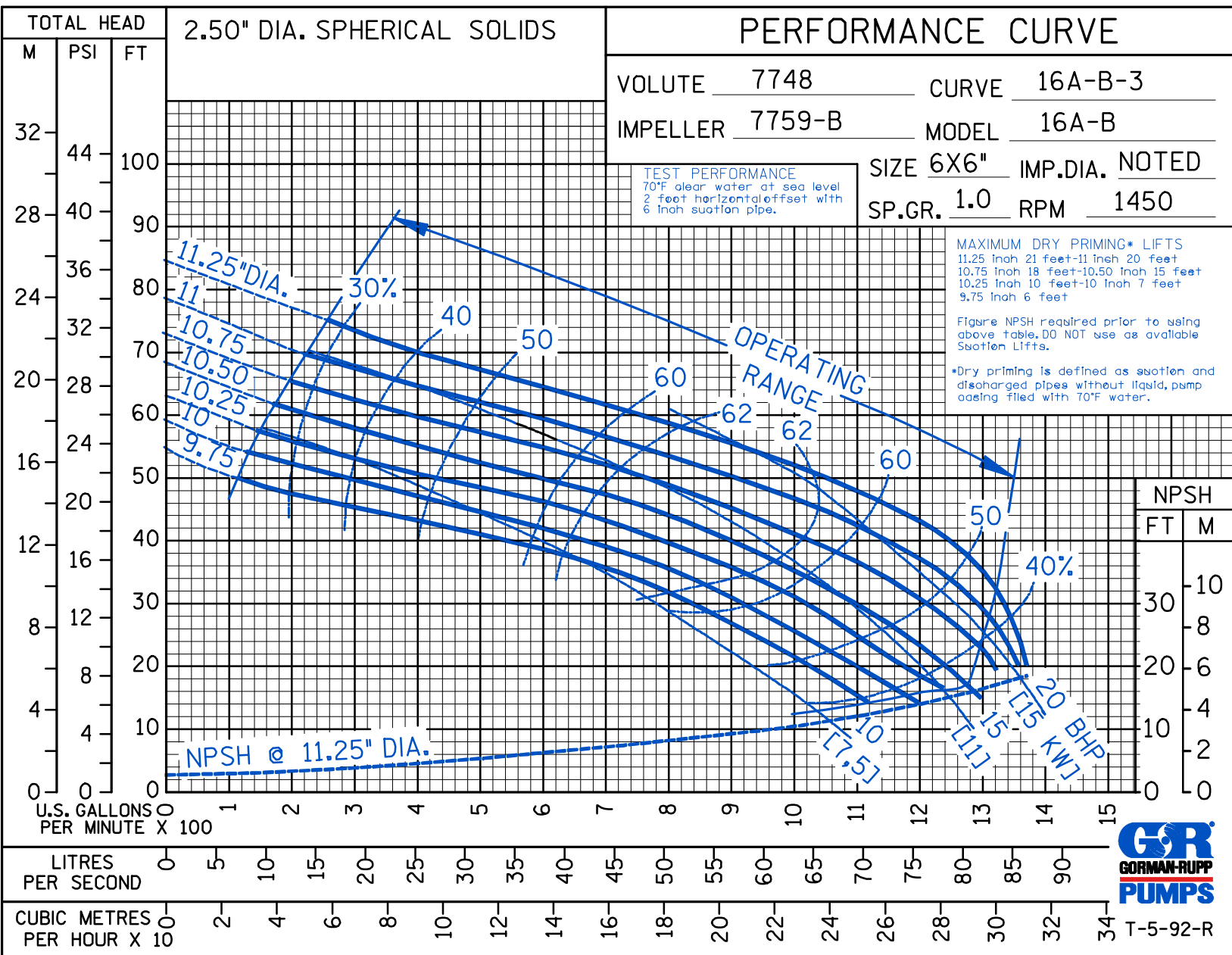
VOLUTE 7748 CURVE 16A-B-3
 IMPELLER 7759-B MODEL 16A-B
 SIZE 6X6" IMP.DIA. NOTED
 SP.GR. 1.0 RPM 1450

TEST PERFORMANCE
 70°F clear water at sea level
 2 foot horizontal offset with
 6 inch suction pipe.

MAXIMUM DRY PRIMING* LIFTS
 11.25 inch 21 feet-11 inch 20 feet
 10.75 inch 18 feet-10.50 inch 15 feet
 10.25 inch 10 feet-10 inch 7 feet
 9.75 inch 6 feet

Figure NPSH required prior to using
 above table, DO NOT use as available
 Suction Lifts.

*Dry priming is defined as suction and
 discharged pipes without liquid, pump
 casing filled with 70°F water.



THE GORMAN-RUPP COMPANY • MANSFIELD, OHIO

GORMAN-RUPP OF CANADA LIMITED • ST. THOMAS, ONTARIO, CANADA

www.grpumps.com

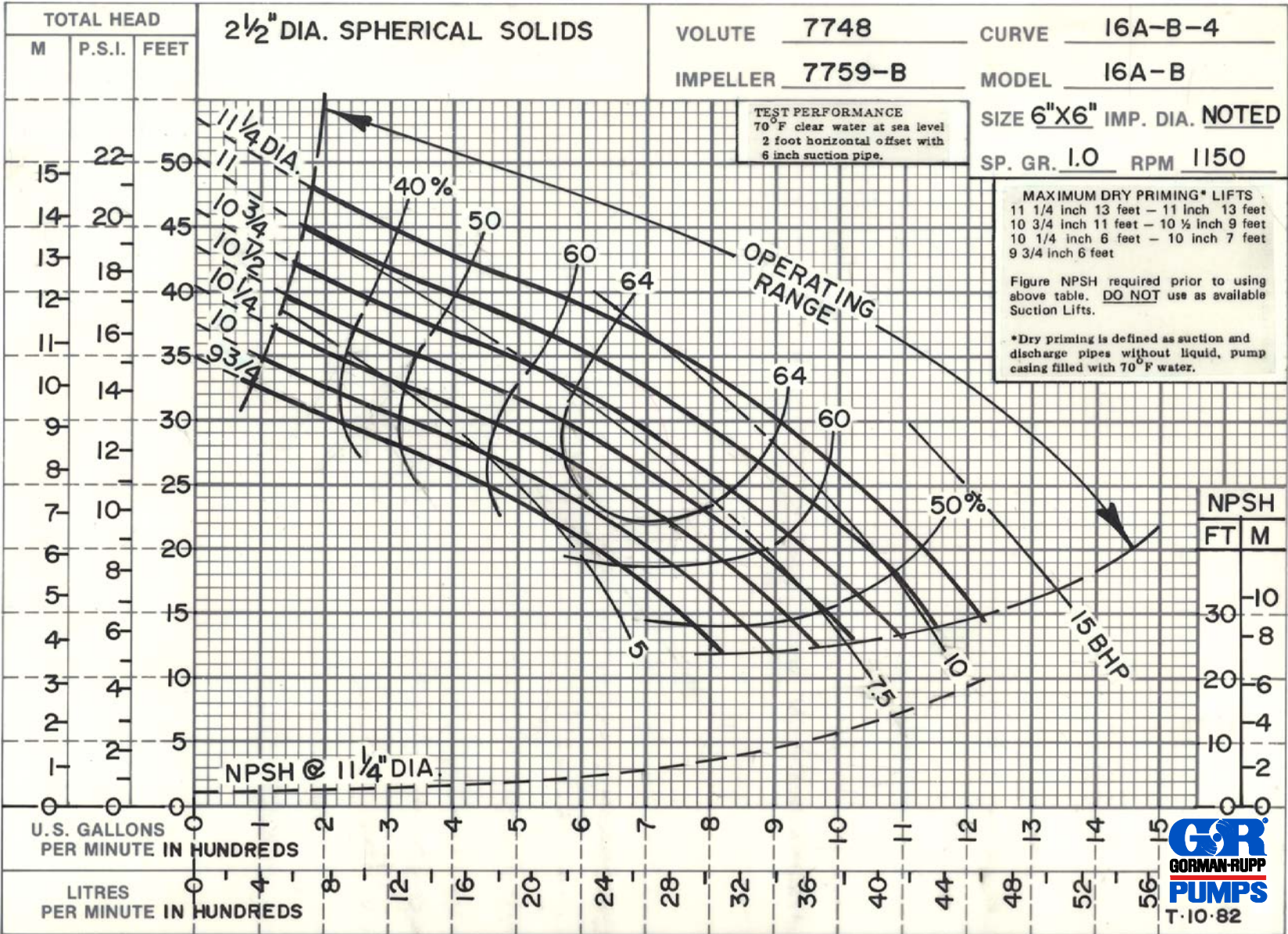
Specifications Subject to Change Without Notice

Printed in U.S.A.



T-5-92-R

A C D E



THE GORMAN-RUPP COMPANY • MANSFIELD, OHIO
 GORMAN-RUPP OF CANADA LIMITED • ST. THOMAS, ONTARIO, CANADA

www.grpumps.com
 Specifications Subject to Change Without Notice

Printed in U.S.A.