



Self Priming Centrifugal Pump

Models 14A2-B and 14A20-B

Size 4" x 4"

PUMP SPECIFICATIONS

Size: 4" x 4" (102 mm x 102 mm) NPT - Female.

Casing: Gray Iron 30.

Maximum Operating Pressure 81 psi (558 kPa).*

Semi-Open Type, Two Vane Impeller: Ductile Iron 65-45-12.

Handles 1 13/16" (46 mm) Diameter Spherical Solids.

Impeller Shaft: Carbon Steel 1045.

Seal Liner: (14A2-B) Copper Alloy C26000.

Shaft Sleeve: (14A20-B) Alloy Steel 4130.

Replaceable Wear Plate: Carbon Steel 1026.

Removable Cover Plate: Gray Iron 30; 23 lbs. (10 kg).

Pedestal: Gray Iron 30.

Seal Plate: Gray Iron 30.

Flap Valve: Gray Iron 30, Buna-N ^{w/}Nylon Reinforcing.

Radial Bearing: Open Single Row Ball.

Thrust Bearing: Open Double Row Ball.

Bearing Lubrication: SAE 30 Non-Detergent Oil.

Flanges: Gray Iron 30.

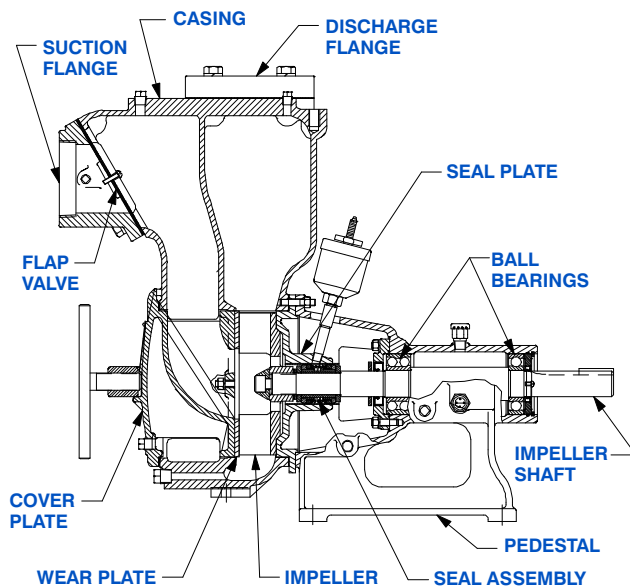
Gaskets: Vegetable Fiber, Rubber, and PTFE (DuPont Teflon[®] or Equivalent).

Hardware: Standard Plated Steel.

Strainer.

Optional Equipment: Consult Factory.

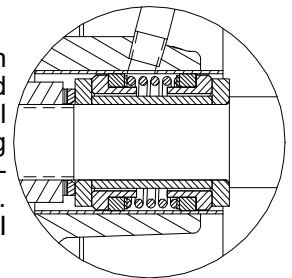
**Consult Factory for Applications Exceeding Maximum Pressure and/or Temperature Indicated.*



14A2-B SHOWN

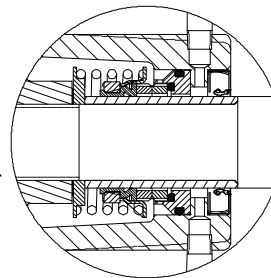
14A2-B SEAL DETAIL

Double, Grease-Lubricated with Spring Loaded Grease Cup. Sintered Bronze Stationary Seal Seats. Steel Rotating Faces. Neoprene Packing Rings. Maximum Temperature of Liquid Pumped, 110°F (43°C). Maximum Suction Pressure 10 PSI (69 kPa).*



14A20-B SEAL DETAIL

Mechanical, Oil-Lubricated, Double Floating, Self-Aligning. Tungsten Titanium Carbide Rotating and Stationary Faces. Stainless Steel 316 Stationary Seat. Fluorocarbon Elastomers (DuPont Viton[®] or Equivalent). Stainless Steel 18-8 Cage and Spring. Maximum Temperature of Liquid Pumped, 160°F (71°C).*



THE GORMAN-RUPP COMPANY • MANSFIELD, OHIO

GORMAN-RUPP OF CANADA LIMITED • ST. THOMAS, ONTARIO, CANADA

www.grpumps.com

Specifications Subject to Change Without Notice

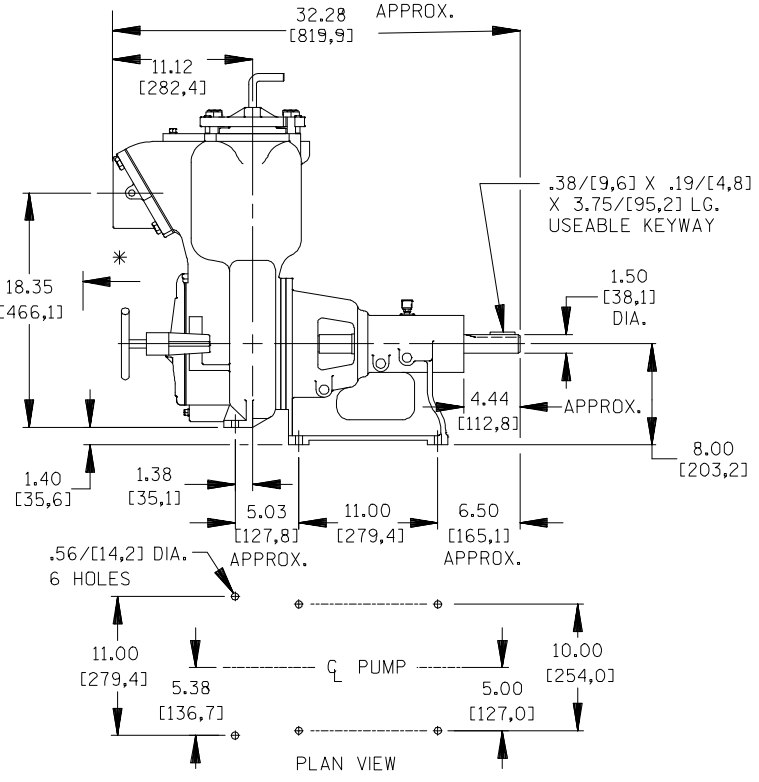
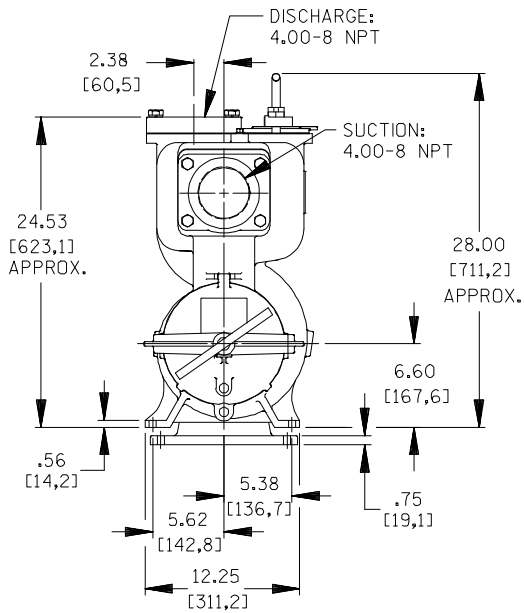
Printed in U.S.A.

Specification Data

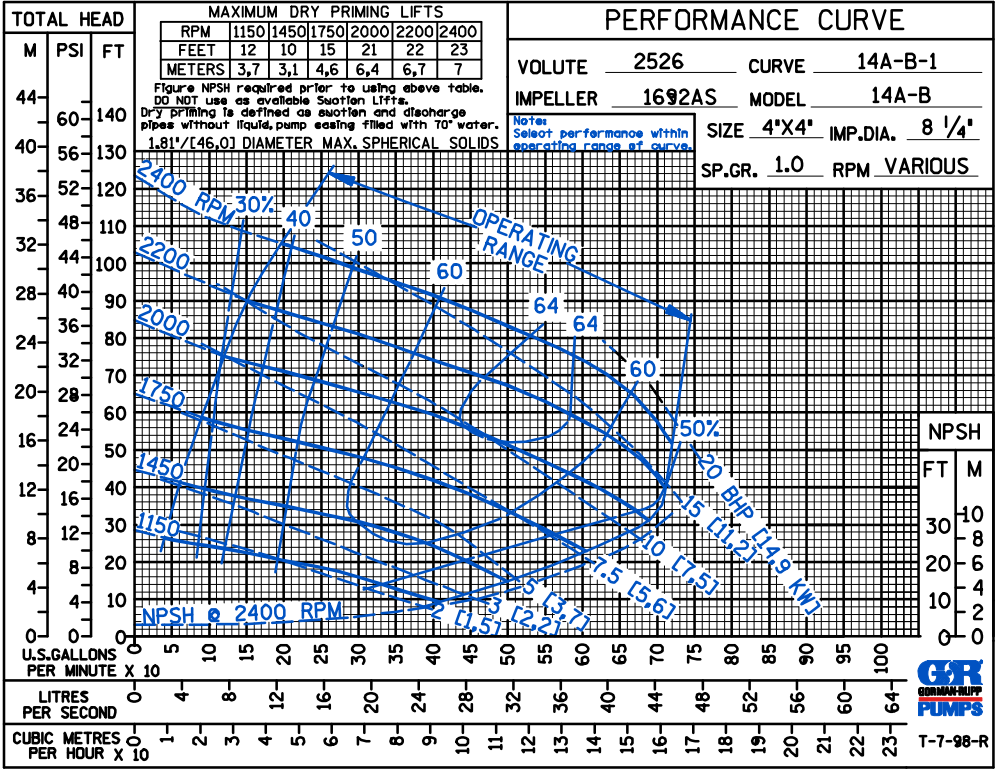
SECTION 55, PAGE 600

APPROXIMATE DIMENSIONS and WEIGHTS

NET WEIGHT: 301 LBS. (136,5 KG.)
SHIPPING WEIGHT: 330 LBS. (149,7 KG.)
EXPORT CRATE SIZE: 18 CU. FT. (0,51 CU. M.)



DIMENSIONS: INCHES [MILLIMETERS]
 * 18.00/[457,2] RECOMMENDED FOR REMOVAL OF BACK COVER PLATE
 6.00/[152,4] REQUIRED FOR REMOVAL OF BACK COVER PLATE



THE GORMAN-RUPP COMPANY • MANSFIELD, OHIO

GORMAN-RUPP OF CANADA LIMITED • ST. THOMAS, ONTARIO, CANADA

Specifications Subject to Change Without Notice

Printed in U.S.A.

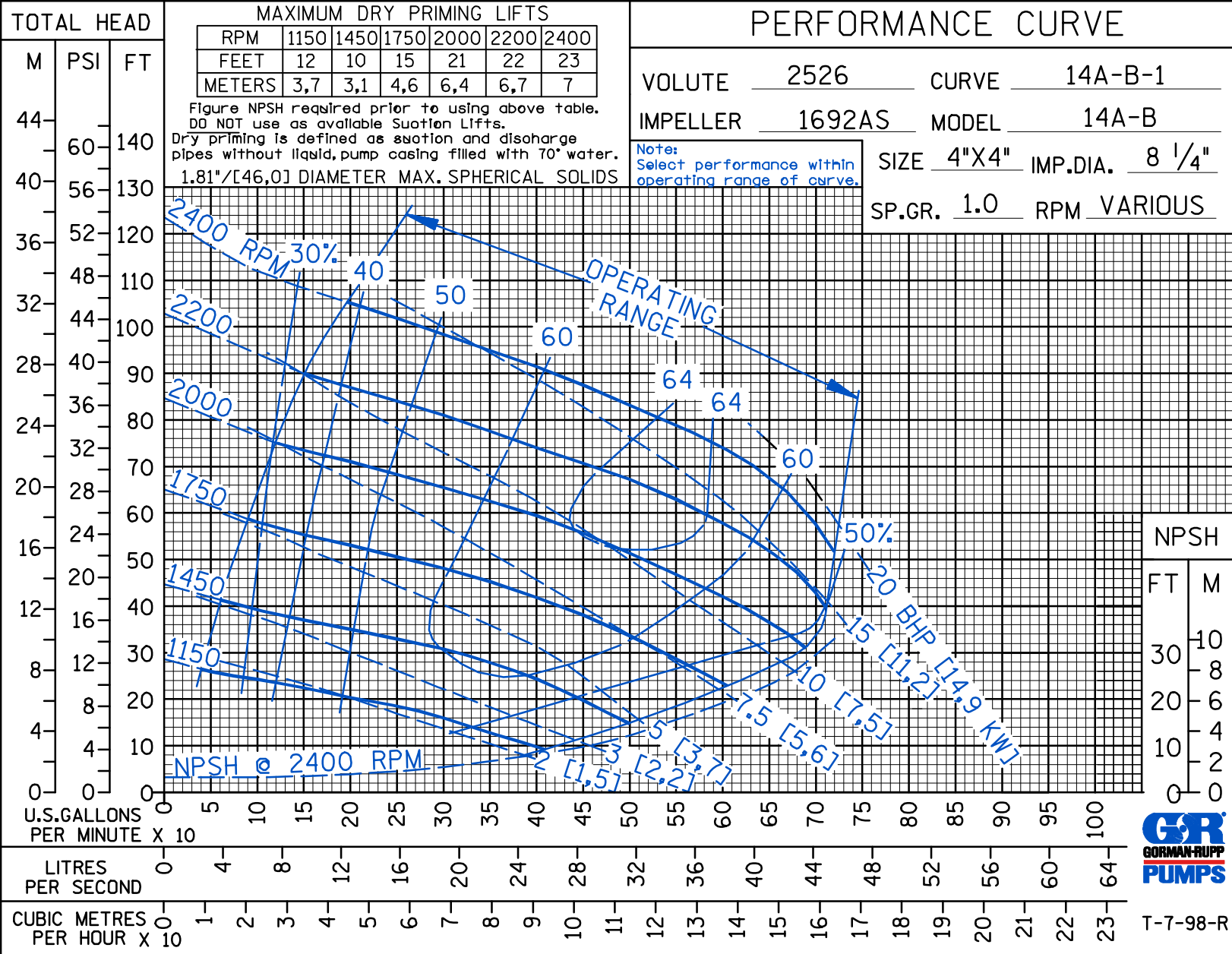
PERFORMANCE CURVE

VOLUTE 2526 CURVE 14A-B-1
 IMPELLER 1692AS MODEL 14A-B
 SIZE 4"X4" IMP.DIA. 8 1/4"
 SP.GR. 1.0 RPM VARIOUS

MAXIMUM DRY PRIMING LIFTS						
RPM	1150	1450	1750	2000	2200	2400
FEET	12	10	15	21	22	23
METERS	3,7	3,1	4,6	6,4	6,7	7

Figure NPSH required prior to using above table.
 DO NOT use as available Suction Lifts.
 Dry priming is defined as suction and discharge pipes without liquid, pump casing filled with 70° water.
 1.81"/[46,0] DIAMETER MAX. SPHERICAL SOLIDS

Note:
 Select performance within operating range of curve.



THE GORMAN-RUPP COMPANY • MANSFIELD, OHIO

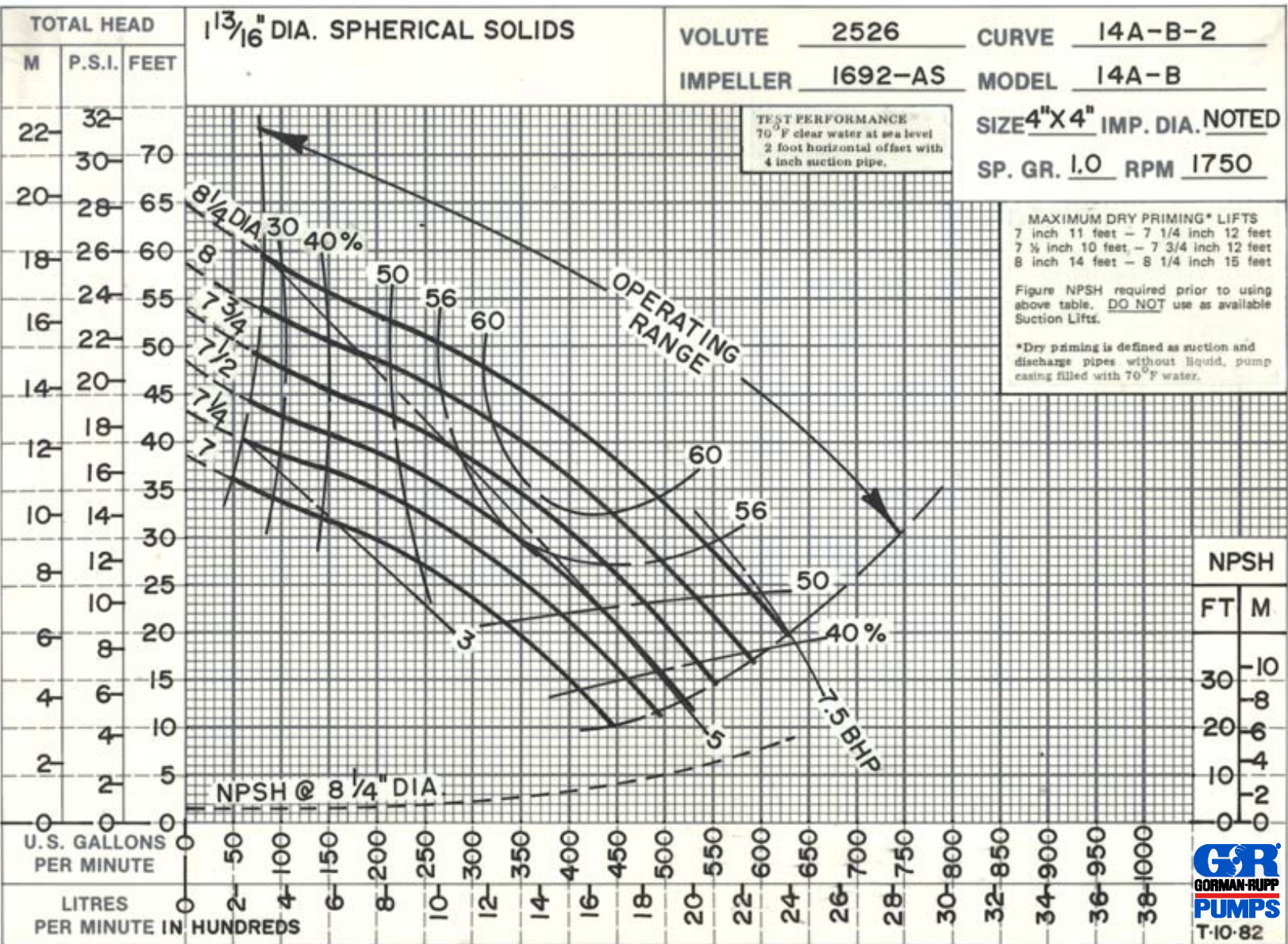
GORMAN-RUPP OF CANADA LIMITED • ST. THOMAS, ONTARIO, CANADA

www.grpumps.com

Specifications Subject to Change Without Notice

Printed in U.S.A.

T-7-98-R



THE GORMAN-RUPP COMPANY • MANSFIELD, OHIO
 GORMAN-RUPP OF CANADA LIMITED • ST. THOMAS, ONTARIO, CANADA

www.grpumps.com
 Specifications Subject to Change Without Notice

Printed in U.S.A.

ACE

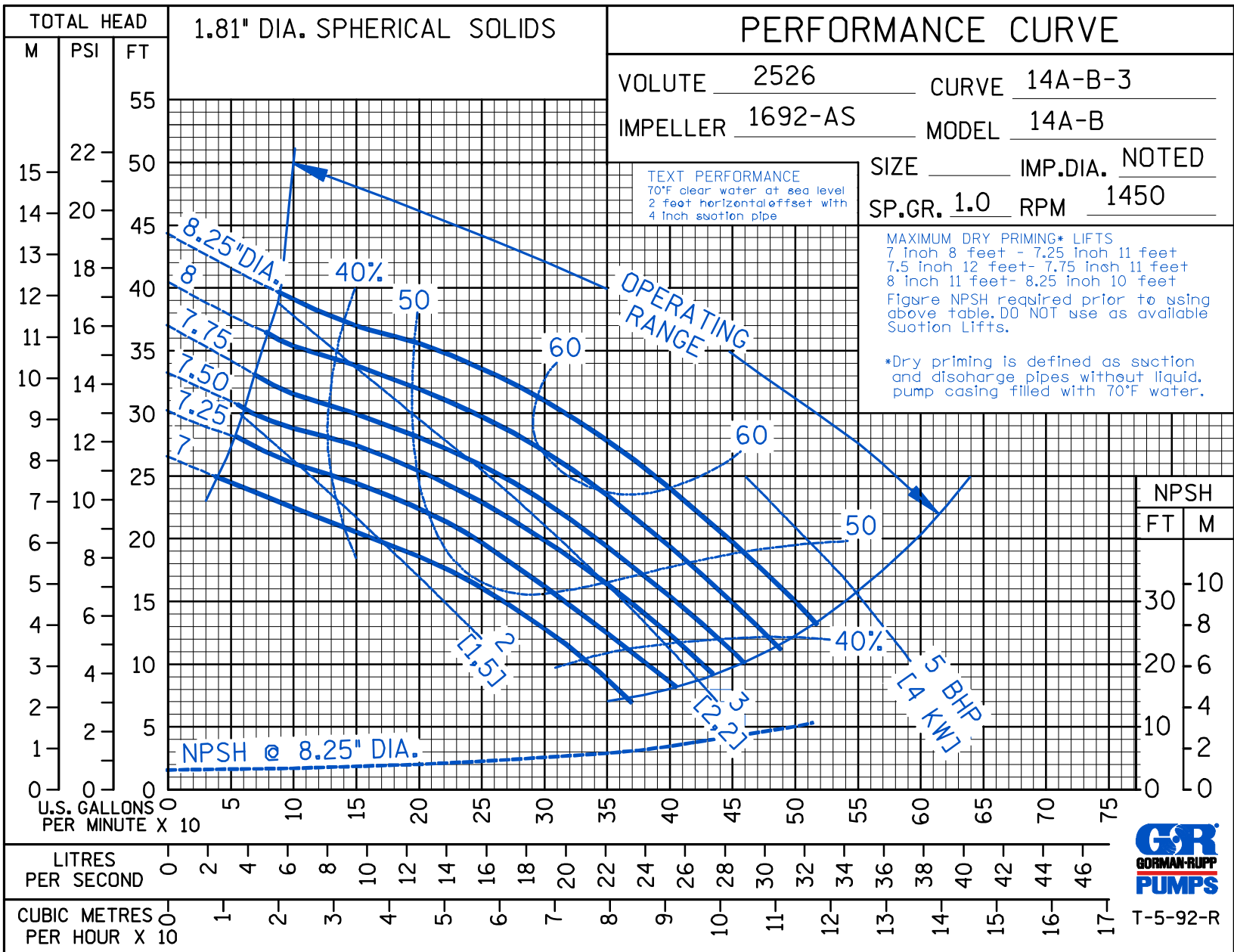
PERFORMANCE CURVE

VOLUTE 2526 CURVE 14A-B-3
 IMPELLER 1692-AS MODEL 14A-B
 SIZE _____ IMP.DIA. NOTED
 SP.GR. 1.0 RPM 1450

TEXT PERFORMANCE
 70°F clear water at sea level
 2 foot horizontal offset with
 4 inch suction pipe

MAXIMUM DRY PRIMING* LIFTS
 7 inch 8 feet - 7.25 inch 11 feet
 7.5 inch 12 feet - 7.75 inch 11 feet
 8 inch 11 feet - 8.25 inch 10 feet
 Figure NPSH required prior to using
 above table. DO NOT use as available
 Suction Lifts.

*Dry priming is defined as suction
 and discharge pipes without liquid,
 pump casing filled with 70°F water.



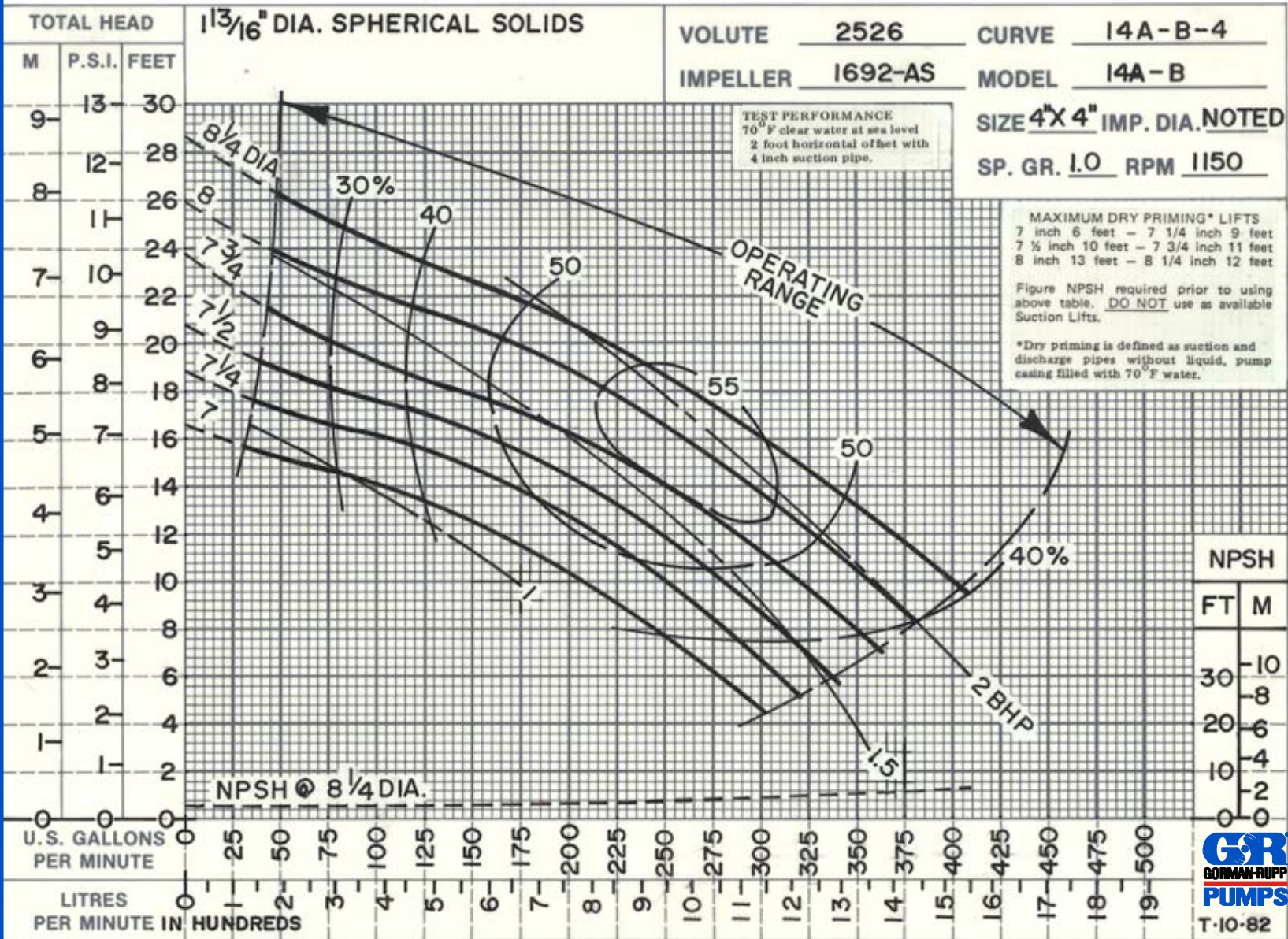
T-5-92-R



THE GORMAN-RUPP COMPANY • MANSFIELD, OHIO
 GORMAN-RUPP OF CANADA LIMITED • ST. THOMAS, ONTARIO, CANADA
 www.grpumps.com

Specifications Subject to Change Without Notice

Printed in U.S.A.



THE GORMAN-RUPP COMPANY • MANSFIELD, OHIO
 GORMAN-RUPP OF CANADA LIMITED • ST. THOMAS, ONTARIO, CANADA

www.grpumps.com
 Specifications Subject to Change Without Notice

Printed in U.S.A.