

A C D E

Basic Pedestal



Self Priming Centrifugal Pump

Models 13A2-B and 13A20-B

Size 3" x 3"

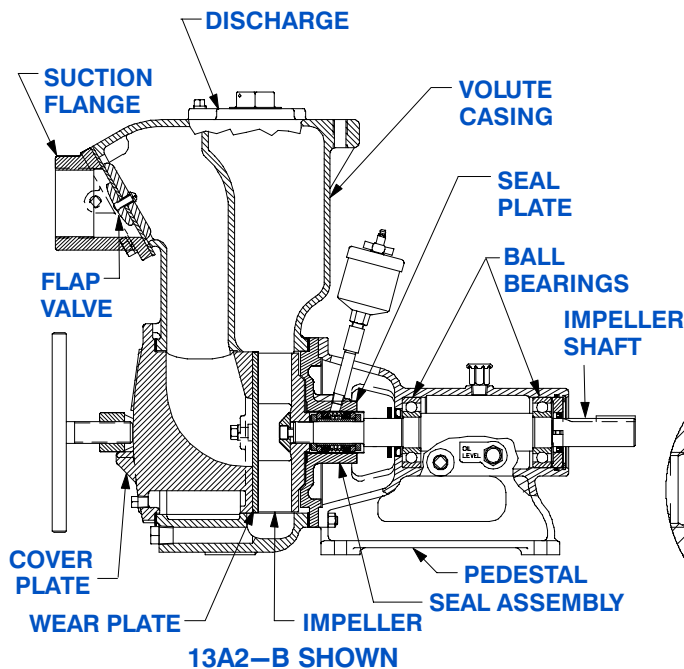
PUMP SPECIFICATIONS

Size: 3" x 3" (76 mm x 76 mm) NPT - Female.**Casing:** Gray Iron No. 30.

Maximum Operating Pressure 66 psi (455 kPa).*

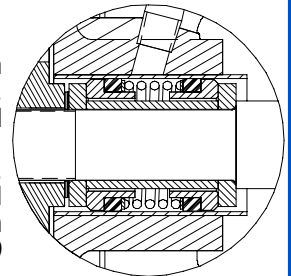
Semi-Open, Two Vane Impeller: Ductile Iron No. 65-45-12.

Handles 1 1/2" (38,1 mm) Diameter Spherical Solids.

Impeller Shaft: Carbon Steel No. 1045/1046.**Replaceable Wear Plate:** Carbon Steel 1015.**Removable Cover Plate:** Gray Iron No. 30. Weight 15 lbs. (7 kg).**Pedestal:** Gray Iron No. 30.**Seal Plate:** Gray Iron No. 30.**Flap Valve:** Buna-N ^w/Nylon Reinforcing; Gray Iron No. 30.**Seal Liner: (13A2-B)** Copper Alloy C26000.**Shaft Sleeve: (13A20-B)** Alloy Steel No. 4150.**Radial and Thrust Bearings:** Open Single Row Ball.**Bearing Lubrication:** SAE No. 30 Non-Detergent Oil.**Flange:** Gray Iron No. 30.**Gaskets:** Vegetable Fiber and Rubber.**Hardware:** Standard Plated Steel.**Optional Equipment:** Strainer. Gray Iron No. 30, 3" ASA Discharge Flanges. Casing Heater 120 / 240 Volt. High Temp Shut Down Kit.**Consult Factory for Applications Exceeding Maximum Pressure and/or Temperature Indicated.*

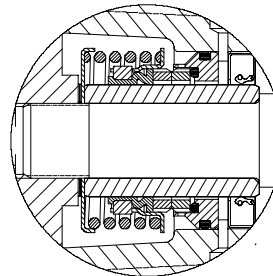
13A2-B SEAL DETAIL

Double, Grease-Lubricated with Spring-Loaded Grease Cup. Sintered Bronze Stationary Seal Seats. Steel Rotating Faces. Neoprene Packing Rings. Maximum Temperature of Liquid Pumped, 110°F (43°C). Maximum Suction Pressure 10 PSI (0,69 kPa).*



13A20-B SEAL DETAIL

Mechanical, Oil-Lubricated, Double Floating, Self-Aligning. Tungsten Titanium Carbide Rotating and Stationary Faces. Stainless Steel No. 316 Stationary Seat. Fluorocarbon Elastomers (DuPont Viton[®] or Equivalent). Stainless Steel No. 18-8 Cage and Spring. Maximum Temperature of Liquid Pumped, 160°F (71°C).*



THE GORMAN-RUPP COMPANY • MANSFIELD, OHIO

GORMAN-RUPP OF CANADA LIMITED • ST. THOMAS, ONTARIO, CANADA

www.grpumps.com

Specifications Subject to Change Without Notice

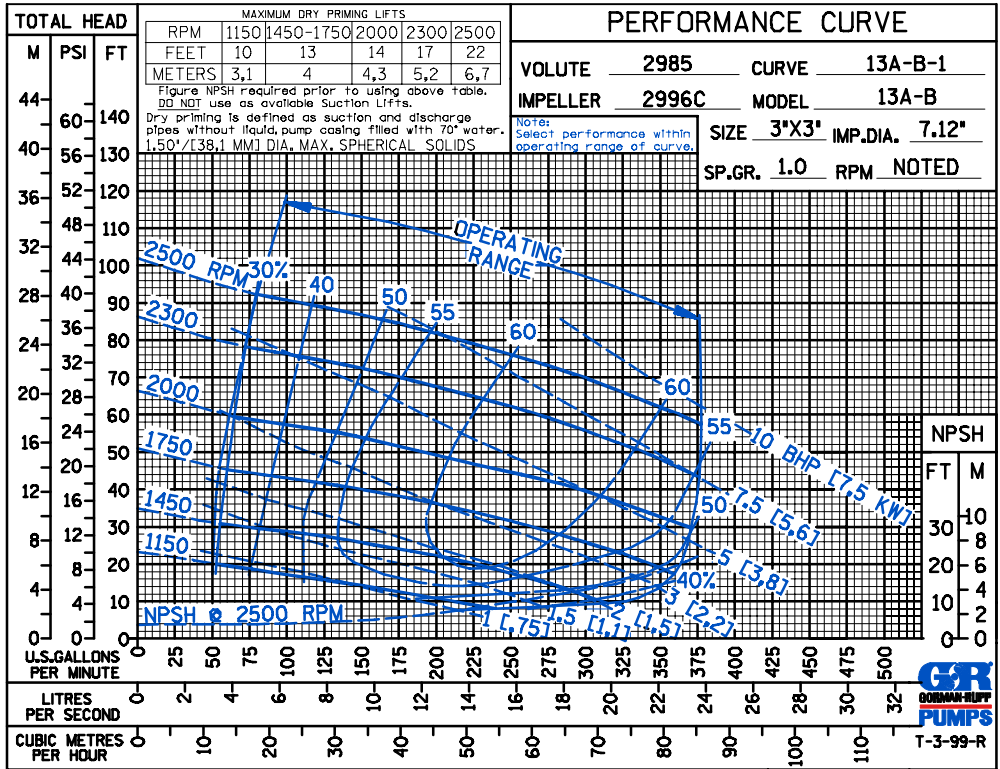
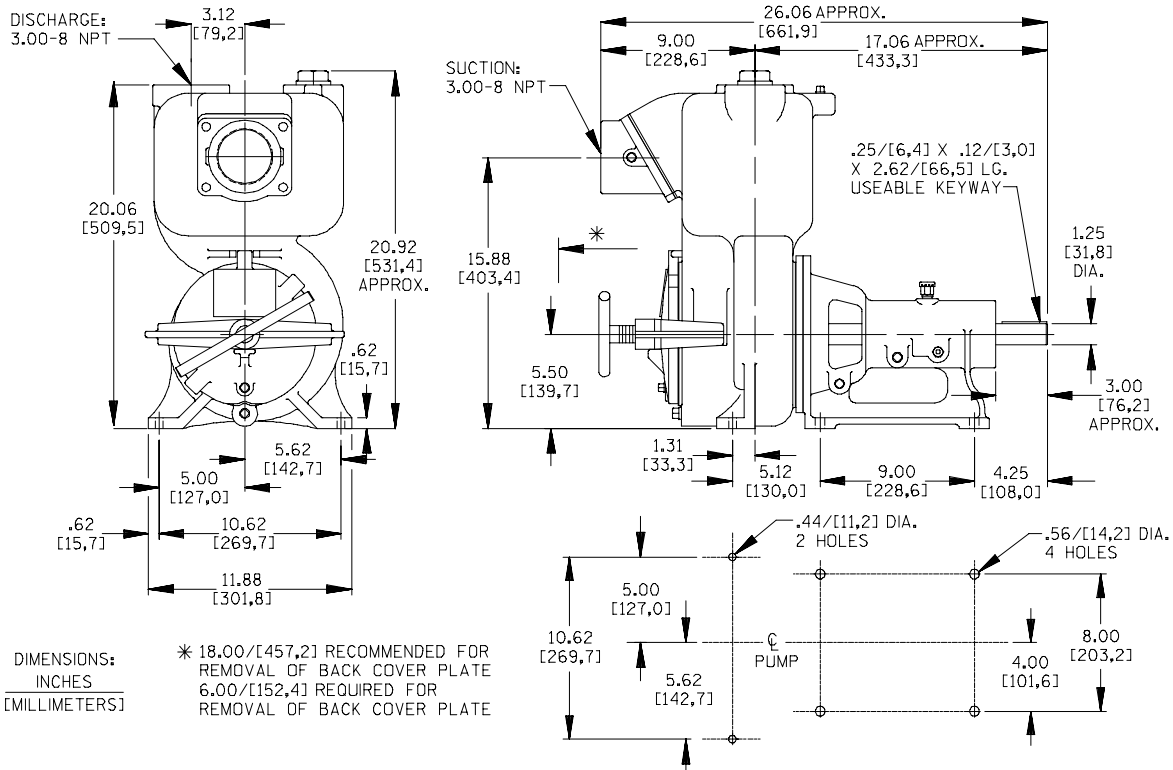
Printed in U.S.A.

Specification Data

SECTION 55, PAGE 400

APPROXIMATE
DIMENSIONS and WEIGHTS

NET WEIGHT: 180 LBS. (82 KG.)
SHIPPING WEIGHT: 190 LBS. (86 KG.)
EXPORT CRATE SIZE: 8.2 CU. FT. (0,23 CU. M.)



THE GORMAN-RUPP COMPANY • MANSFIELD, OHIO

GORMAN-RUPP OF CANADA LIMITED • ST. THOMAS, ONTARIO, CANADA

Specifications Subject to Change Without Notice

Printed in U.S.A.



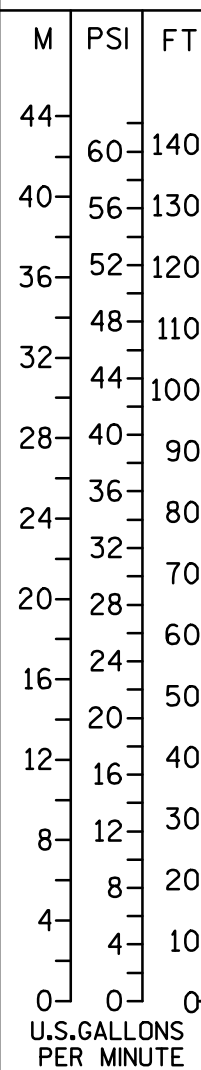
THE GORMAN-RUPP COMPANY • MANSFIELD, OHIO
 GORMAN-RUPP OF CANADA LIMITED • ST. THOMAS, ONTARIO, CANADA
 www.grpumps.com

© Copyright by the Gorman-Rupp Company 2007

Specifications Subject to Change Without Notice

Printed in U.S.A.

TOTAL HEAD



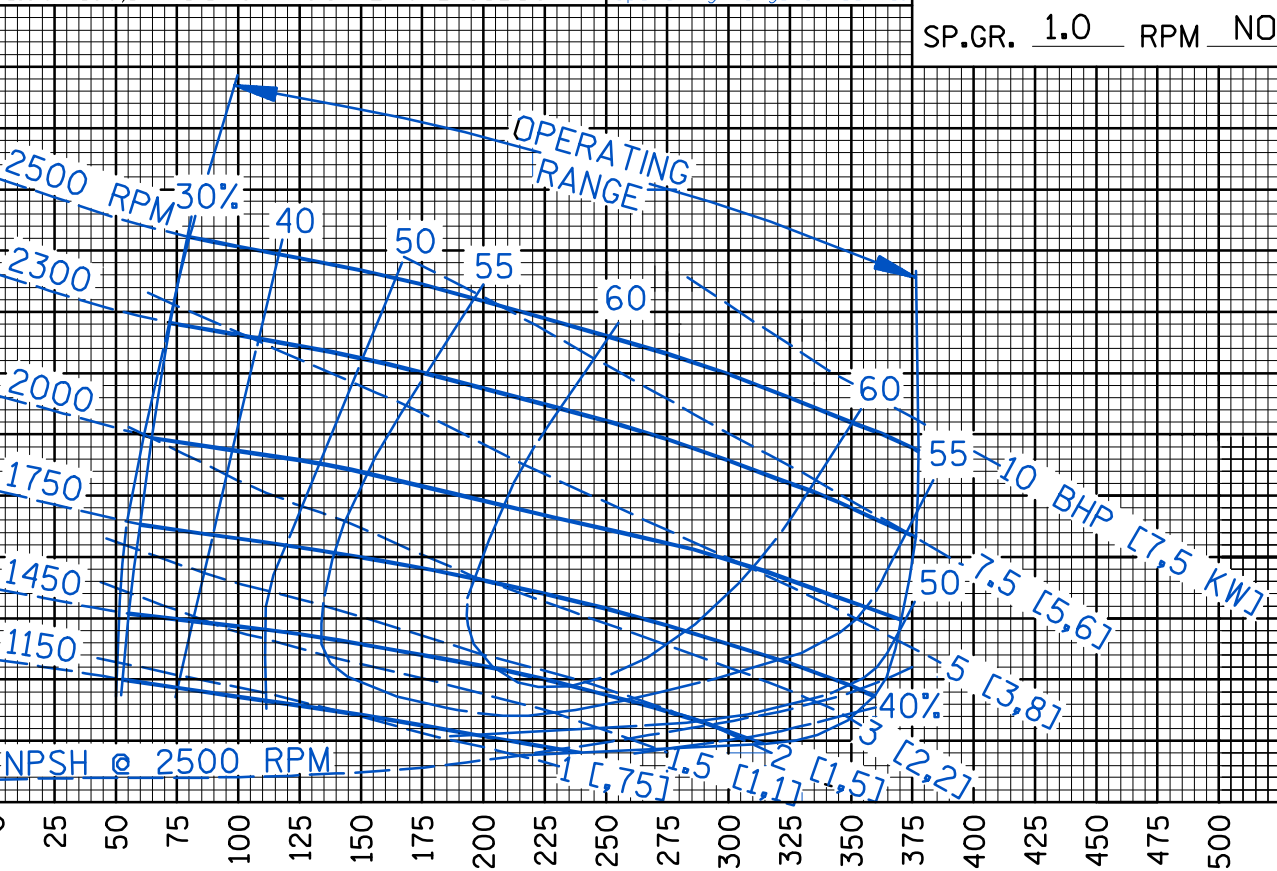
MAXIMUM DRY PRIMING LIFTS					
RPM	1150	1450-1750	2000	2300	2500
FEET	10	13	14	17	22
METERS	3,1	4	4,3	5,2	6,7

Figure NPSH required prior to using above table.
 DO NOT use as available Suction Lifts.
 Dry priming is defined as suction and discharge pipes without liquid, pump casing filled with 70° water.
 1.50"/[38,1 MM] DIA. MAX. SPHERICAL SOLIDS

PERFORMANCE CURVE

VOLUTE 2985 CURVE 13A-B-1
 IMPELLER 2996C MODEL 13A-B
 SIZE 3"X3" IMP.DIA. 7.12"
 SP.GR. 1.0 RPM NOTED

Note:
 Select performance within operating range of curve.



NPSH
 FT M



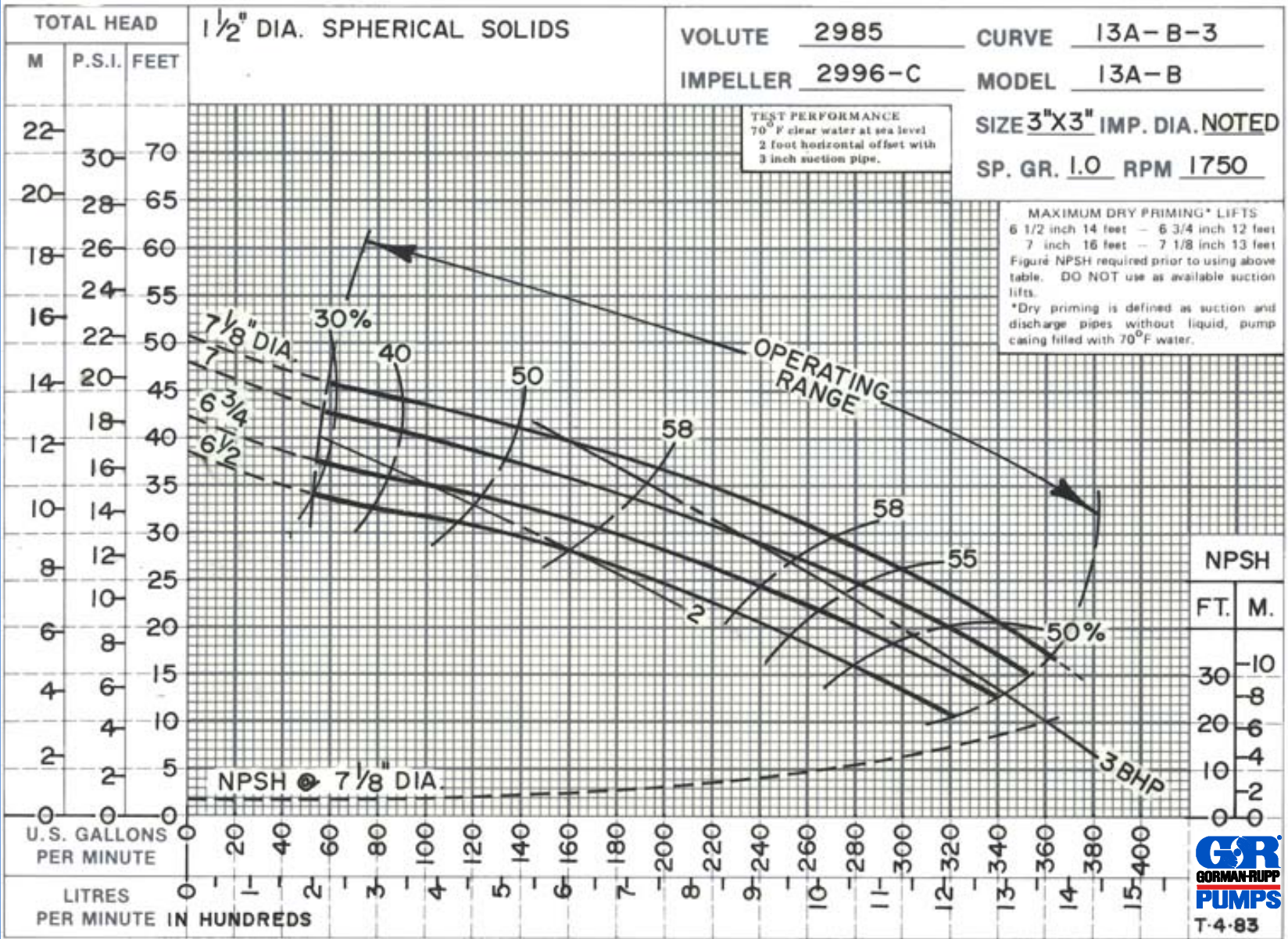
T-3-99-R

ACDE

Curve Data

Sec. 55

PAGE 451.1
 MAY 2007



THE GORMAN-RUPP COMPANY • MANSFIELD, OHIO
 GORMAN-RUPP OF CANADA LIMITED • ST. THOMAS, ONTARIO, CANADA

www.grpumps.com
 Specifications Subject to Change Without Notice

Printed in U.S.A.

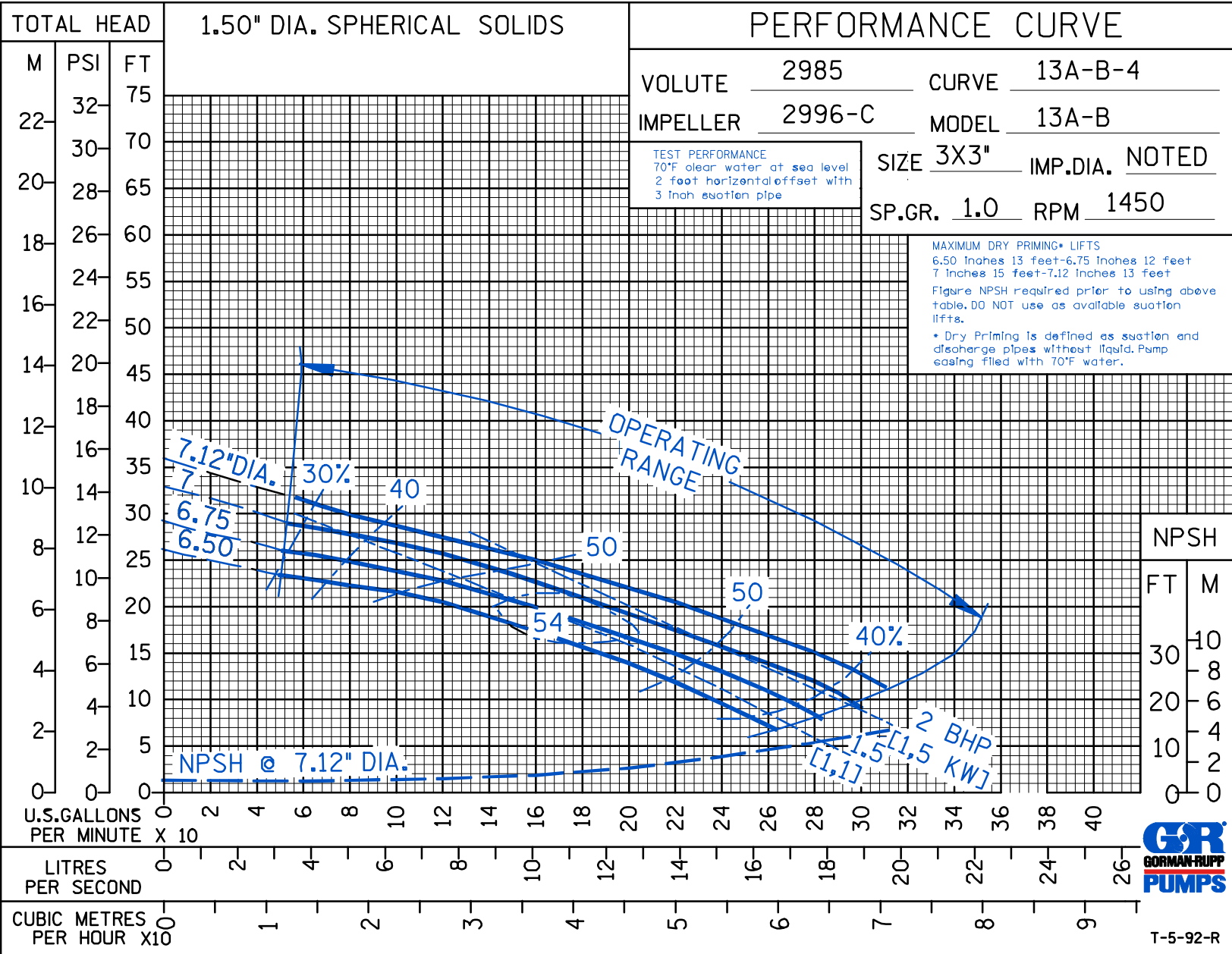


PERFORMANCE CURVE

VOLUTE 2985 CURVE 13A-B-4
 IMPELLER 2996-C MODEL 13A-B
 SIZE 3X3" IMP.DIA. NOTED
 SP.GR. 1.0 RPM 1450

TEST PERFORMANCE
 70°F clear water at sea level
 2 foot horizontal offset with
 3 inch suction pipe

MAXIMUM DRY PRIMING* LIFTS
 6.50 inches 13 feet-6.75 inches 12 feet
 7 inches 15 feet-7.12 inches 13 feet
 Figure NPSH required prior to using above
 table, DO NOT use as available suction
 lifts.
 * Dry Priming is defined as suction and
 discharge pipes without liquid. Pump
 casing filled with 70°F water.



T-5-92-R



THE GORMAN-RUPP COMPANY • MANSFIELD, OHIO

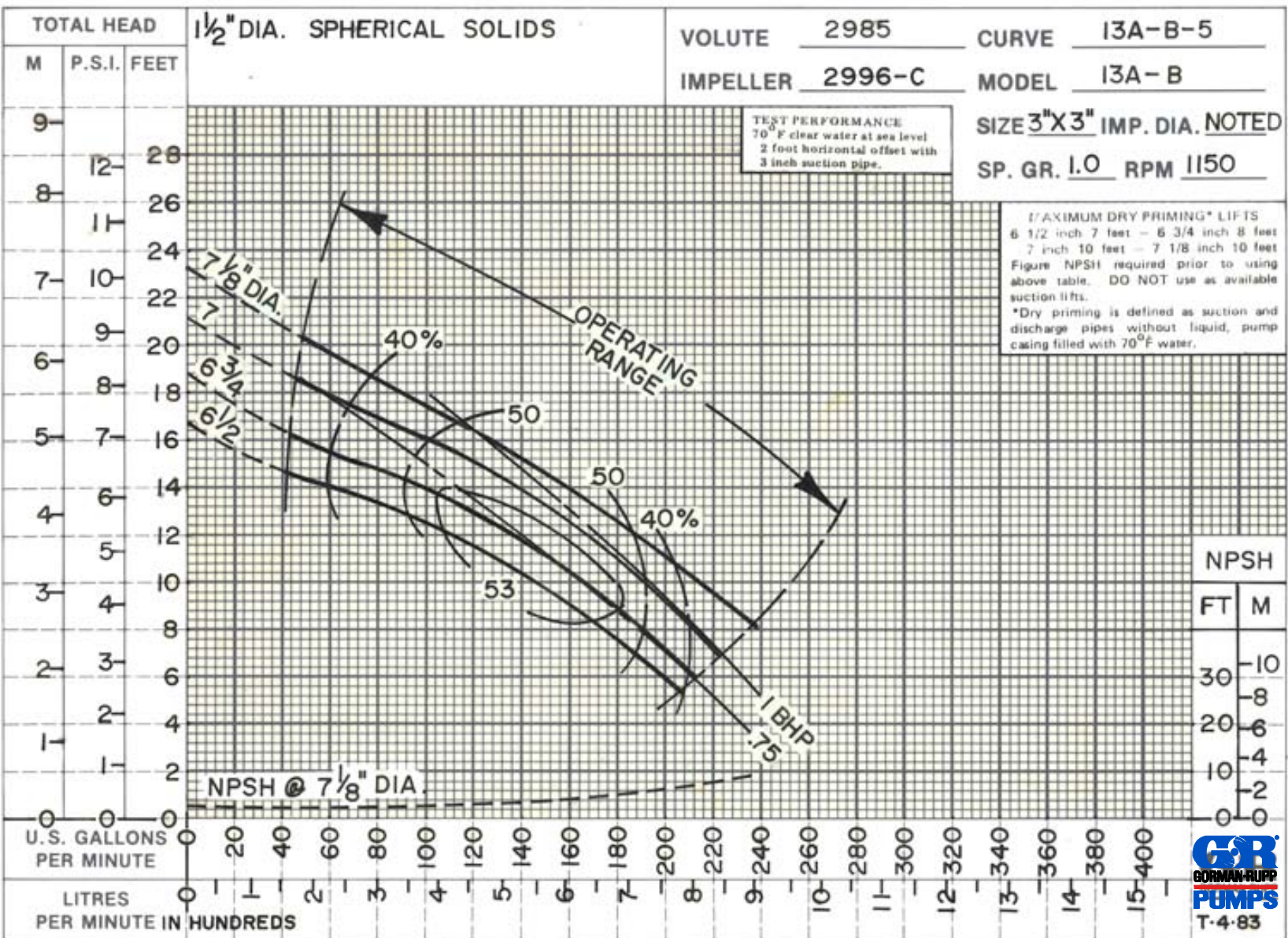
GORMAN-RUPP OF CANADA LIMITED • ST. THOMAS, ONTARIO, CANADA

www.grpumps.com

Specifications Subject to Change Without Notice

Printed in U.S.A.

ACE



THE GORMAN-RUPP COMPANY • MANSFIELD, OHIO
GORMAN-RUPP OF CANADA LIMITED • ST. THOMAS, ONTARIO, CANADA

www.grpumps.com
Specifications Subject to Change Without Notice

Printed in U.S.A.